

Model: IG1005P

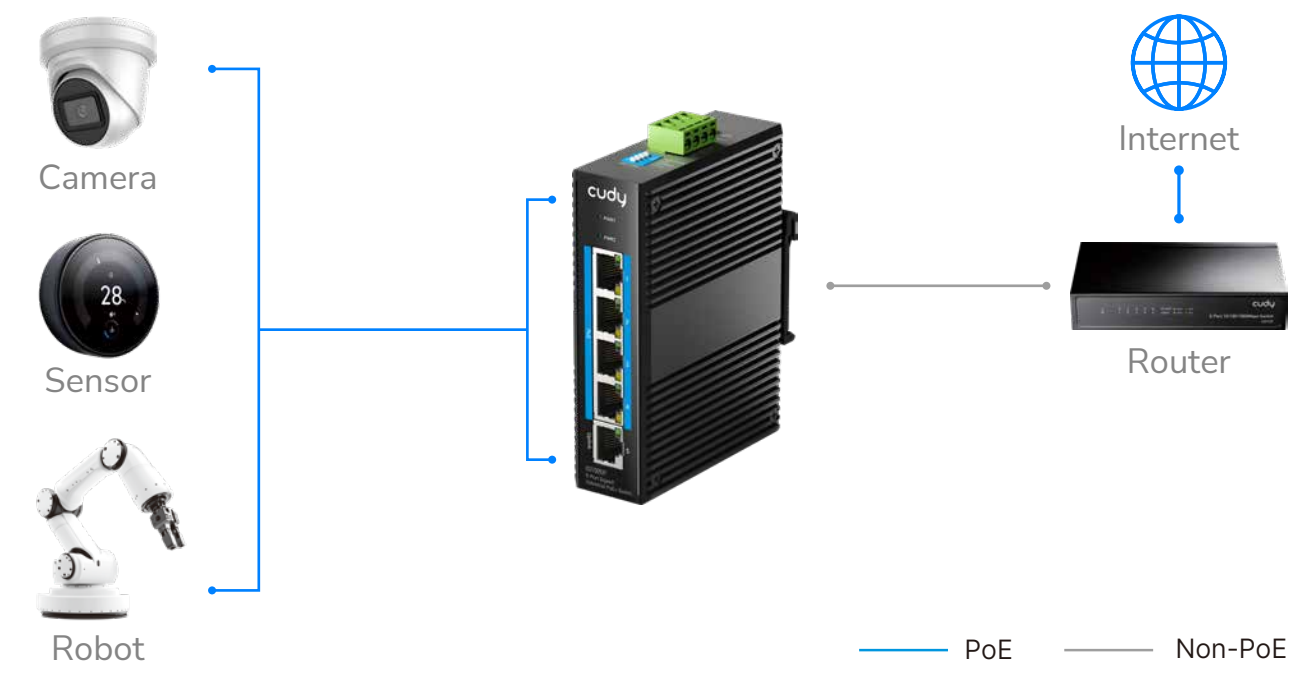
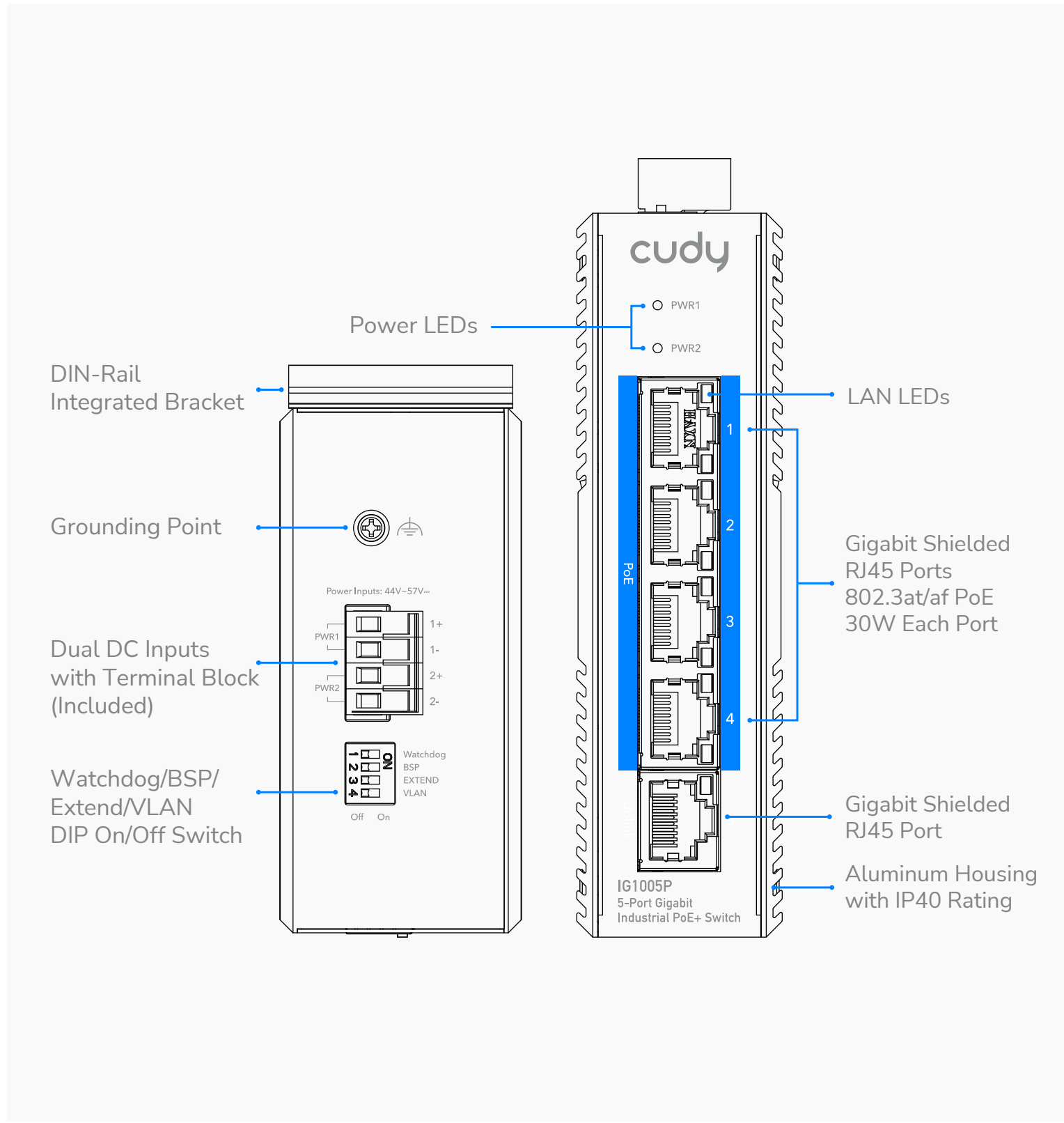
5-Port Gigabit Industrial PoE+ Switch

 **44~57V** Dual DC Redundancy

 **Industrial-Grade** EMC and Casing Design

 **-40~75 °C** Ambient Temperature





Built for Tough Environments



Transportation



Retail/Enterprise



Power Grid Management



Manufacturing and Automation



Highlights

A 5-GbE industrial PoE switch for networking in harsh conditions such as manufacturing, transportation, maritime, oil & gas, and mining.

- 5× GbE, Shielded, ±6kV Surge Resistant
- 4× 802.3at/af Mode A PoE
- IP40, -40~75°C (-40~167°F)
- Dual-Power Redundancy, 44~57V Range
- Polarity Reverse Protection
- Short Circuit Protection
- Broadcast Storm Prevention On/Off
- Extend On/Off, VLAN On/Off
- Integrated DIN-Rail Bracket

Package Content

- IG1005P
- Installation Guide

Specifications

Interfaces	Gigabit RJ45 Ports	5
	Gigabit RJ45 PoE Ports	#1~#4
	Max Power on Each PoE Port	30W
	PoE Port Notes	Complies with IEEE 802.3at/af .
	Extend Mode Ports	#1~#4
	VLAN Mode Ports	#1~#4
LED		Power 1
		Power 2
		Link/ACT of Each Ethernet Port
		PoE Status of Each PoE Port
Power Input		Terminal Block 4-PIN
Physical Buttons		PoE Watchdog On/Off
		VLAN On/Off
		Extend On/Off
Watchdog Note		Broadcast Storm Prevention On/Off
		PoE Watchdog will attempt to reboot the plugged-in clients that have been inactive for 5 minutes. Do not turn it on for clients with online auto-upgrade feature.

Specifications

Performance	Copper Speed and Distance	Cat. 3 or higher cable: 100 meters at 10 Mbps Cat. 5 or higher cable: 100 meters at 100 Mbps Cat. 5e or higher cable: 100 meters at 1000 Mbps Cat. 5e or higher cable: 250 meters at 10 Mbps
	Copper Speed and Distance Note	250-meter transmission is only available on the Extend Mode ports when the Extend Mode is activated.
	MAC Address Table	2048
	Max Switching Capacity	10 Gbps
	Max Forwarding Rate	7.44 Mpps
	Jumbo Frame	2 KB
	Packet Buffer	2 Mbit
	Power	Power Methods
Power Redundancy		Dual Inputs
DC		44-57V $\overline{=}$
Max Power Consumption		120W (Excluding PoE: 2.0W)
Idle Power Consumption		1.4W
Polarity Reverse Protection		True
Short Circuit Protection		True

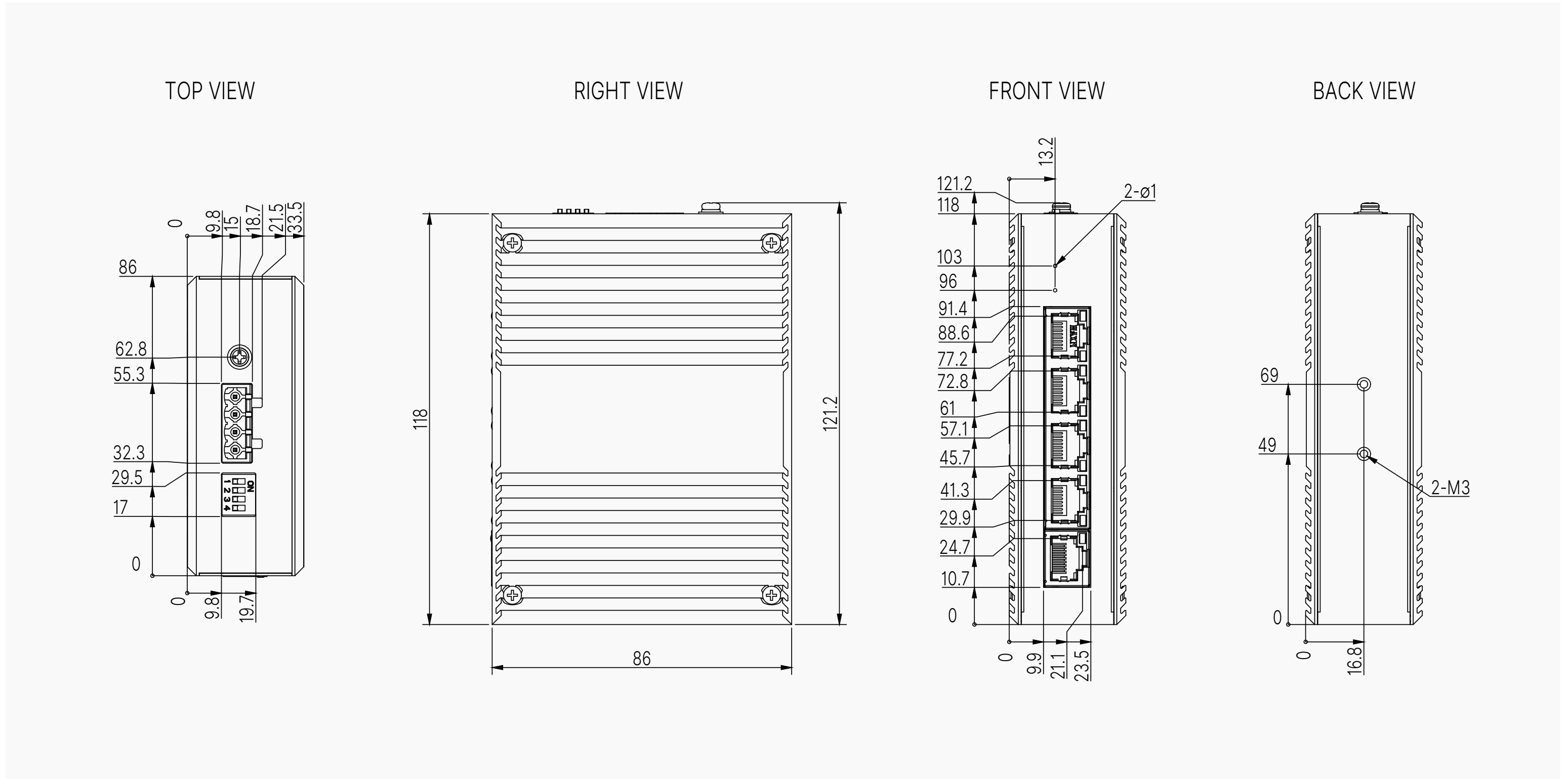
Switching	802.3 Protocols	802.3at PoE	
		802.3af PoE	
		802.3i 10BASE-T	
		802.3u 100BASE-TX	
		802.3ab 1000BASE-T	
		802.3x Flow Control	
Reliability	EMS	IEC/EN 61000-4-2, Level 4 ESD: Contact: 8kV; Air: 15kV	
		IEC/EN 61000-4-3, Level 4 RS: 80 MHz to 1 GHz: 10 V/m	
		IEC/EN 61000-4-4, Level 4 EFT: Power: 2kV; RJ45: 4kV	
		IEC/EN 61000-4-5, Level 4 Surge: Power: DM 2kV, CM 4kV; RJ45: CM 6kV	
		IEC/EN 61000-4-6, Level 3 CS: 10V	
		IEC/EN 61000-4-8, Level 5 PFMF	
		IEC/EN 61000-4-9, Level 5	
		IEC/EN 61000-4-10, Level 5	
		EMS Note	The levels listed in each EMS field are the highest level defined in the IEC/EN standard.

Specifications

Reliability	Grounding Methods	Grounding Point
	Safety	IEC/EN 62368
	EMC	EN55032 Class A
		EN55035 Class A
	EMI	FCC 47 CFR Part 15B Class A
	Shock	IEC 60068-2-27
	Vibration	IEC 60068-2-6
	Free Fall	IEC 60068-2-32
	Environment	Operating Temperature:
-40 °C ~ 75 °C (-40 °F ~ 167 °F)		
Storage Temperature:		
-40 °C ~ 85 °C (-40 °F ~ 185 °F)		
		Operating Humidity: 5%~95% non-condensing
		Storage Humidity: 5% ~ 95% non-condensing
Mechanical	Dimension	118×86×33.5 mm
		4.65×3.39×1.32 inches
	Product Weight	342.5 g (12.08 oz.)
	Casing Material	Aluminum
	Ingress Protection	IP40
Installation	DIN-Rail	

Ordering Information	Retail Package Dimension	182×137×65 mm
		7.17×5.39×2.56 inches
	Retail Package Weight	474.0 g (16.72 oz.)
	Units per Carton	20
	Carton Net Weight	9.5 kg (20.94 lbs)
	Carton Gross Weight	10.1 kg (22.27 lbs)
	Carton Dimension	38.8×34.8×29.8 cm
		15.28×13.7×11.73 inches

Spacial Measurements



Spatial Measurements

