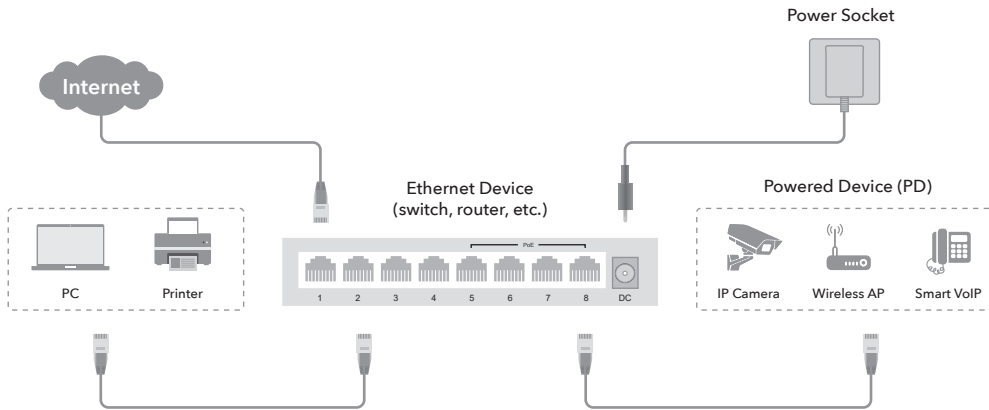


## 1 Hardware Connection

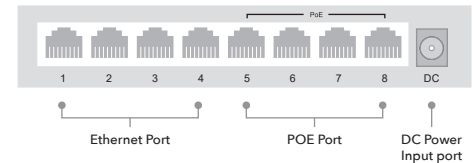


## 2 Physical Appearance

### Front board



### Back board



## 3 Specifications

Model	GS1008P
Power supply	External 60W Power Supply
Voltage Range	DC48~57V
Switch Consumption	<5W
Speed	1~8 Port : 10/100/1000Mbps
Transmission Distance	100Meter (328ft)
Ethernet Standard	IEEE 802.3x/IEEE 802.3/802.3u/ 802.3ab/802.3af/at
Switching capacity	16G
MAC Address	2K MAC address table

Transfer Rate	14,880pps for 10Mbps 148,800pps for 100Mbps 1,488,000pps for 1000Mbps
PoE Budget	55W
PoE pin assignment	V+(RJ45 Pin 1,2), V-(RJ45 Pin 3,6)
Working Temperature	0~40°C
Storage Temperature	-40~70°C
Humidity Non condensing	0~90%
Dimension	138mm x 79mm x 25mm
Color	Black

## 4 LED and Interface Explanation

	<b>ON</b>	The port is connected
<b>Link/Act</b>	<b>Blinks</b>	The port is receiving or transmitting data
	<b>OFF</b>	The port is not linked successfully with the device
<b>POE</b>	<b>ON</b>	PD is connected
	<b>OFF</b>	No PD is connected or power forwarding fails

cudy

## Quick Installation Guide

Model: GS1008P

### Trouble Shooting

- Make sure the equipment is installed according to the manufactures installation guide.
- Confirm RJ45 cable order meets EIA TIA568A or 568B standard.
- Every PoE port can provide PoE equipment maximum power less than 30W, please do not connect the PoE equipment with power over 30W.
- Replace the equipment with a proper functioning PoE Ethernet Switch to check if the equipment is damaged.
- Please contact your vendor if trouble still exists.

### EU declaration of conformity

Cudy hereby declares that the device is in compliance with the essential requirements and other relevant provisions of directives 2014/30/EU, 2014/35/EU, 2009/125/EC and 2011/65/EU.The original EU declaration of conformity may be found at <http://www.cudy.com/>

Email: [support@cudy.com](mailto:support@cudy.com)



**RoHS**  
Made in China  
810600076

[www.cudy.com](http://www.cudy.com)