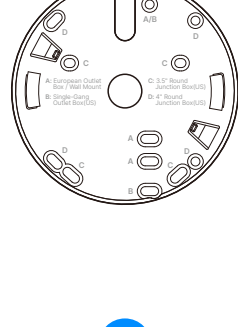
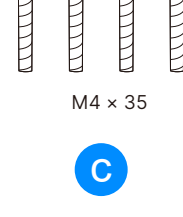


a

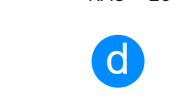


b



M4 x 35

c

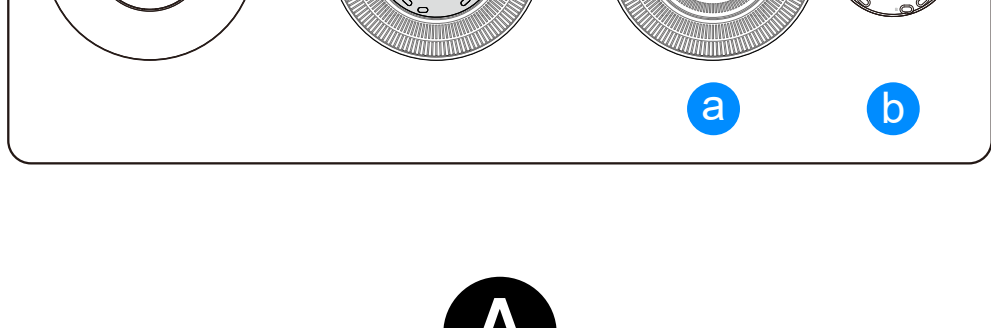


KA3 x 25

d



e



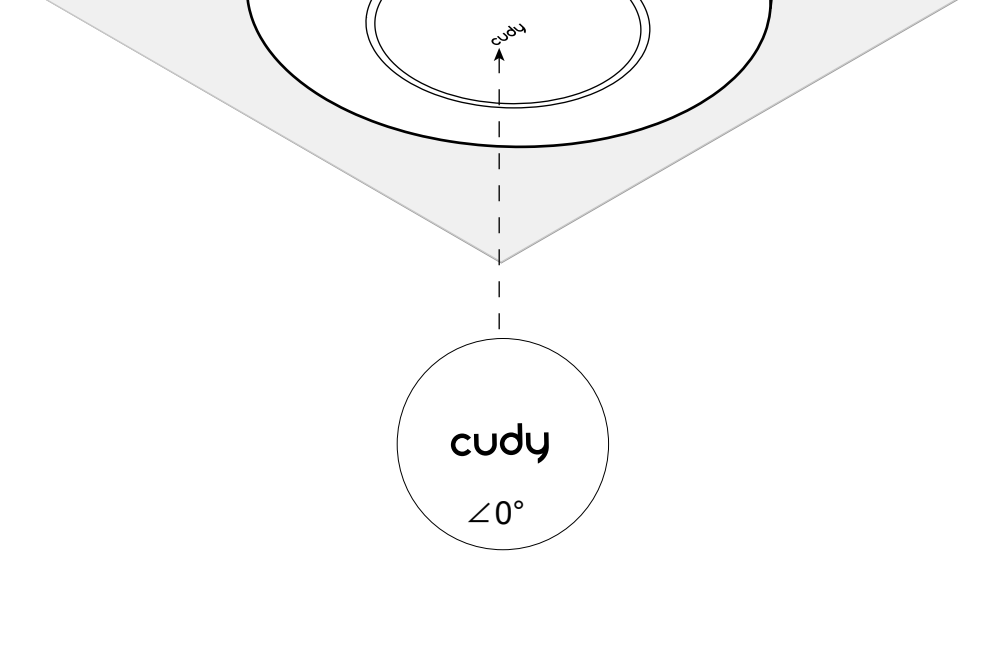
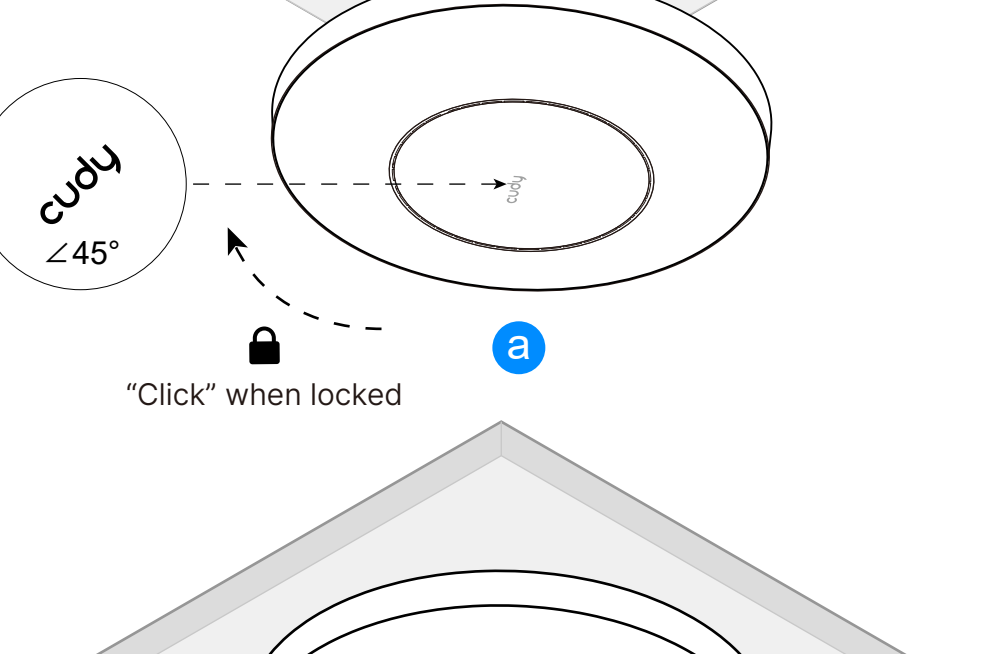
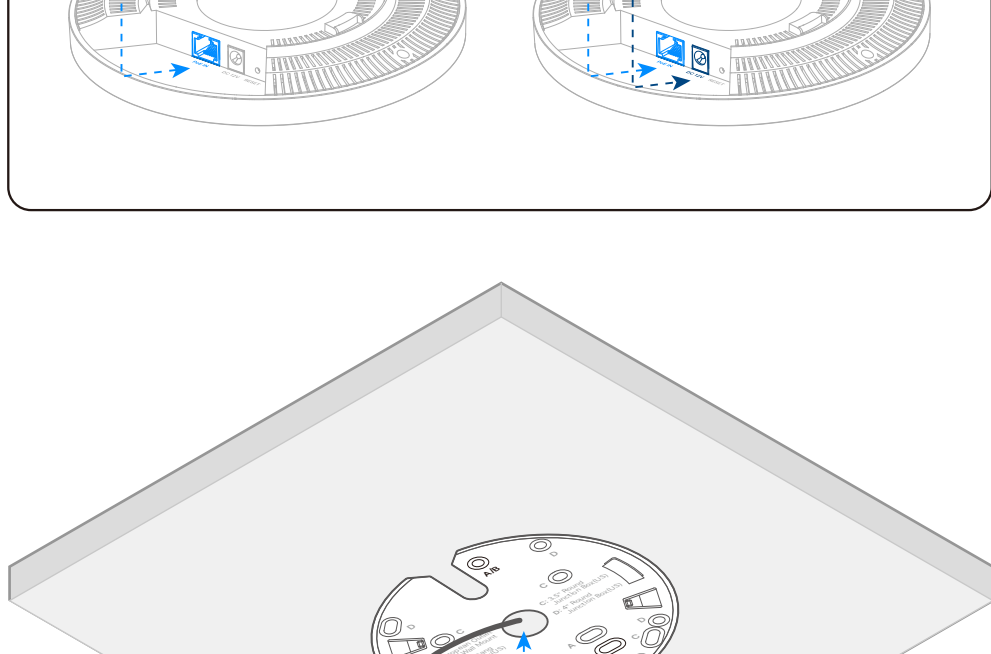
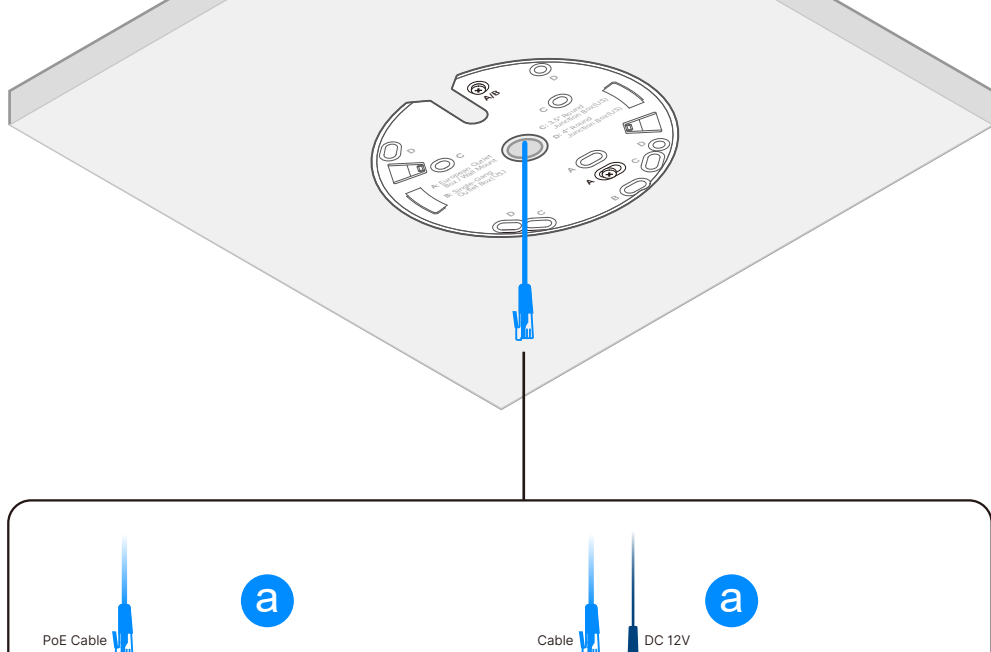
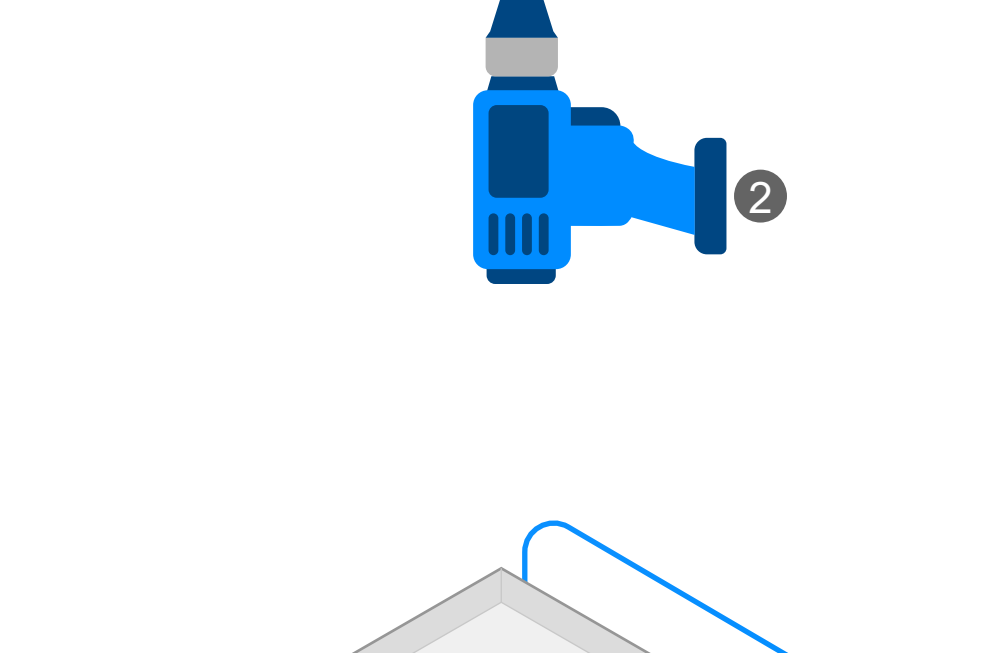
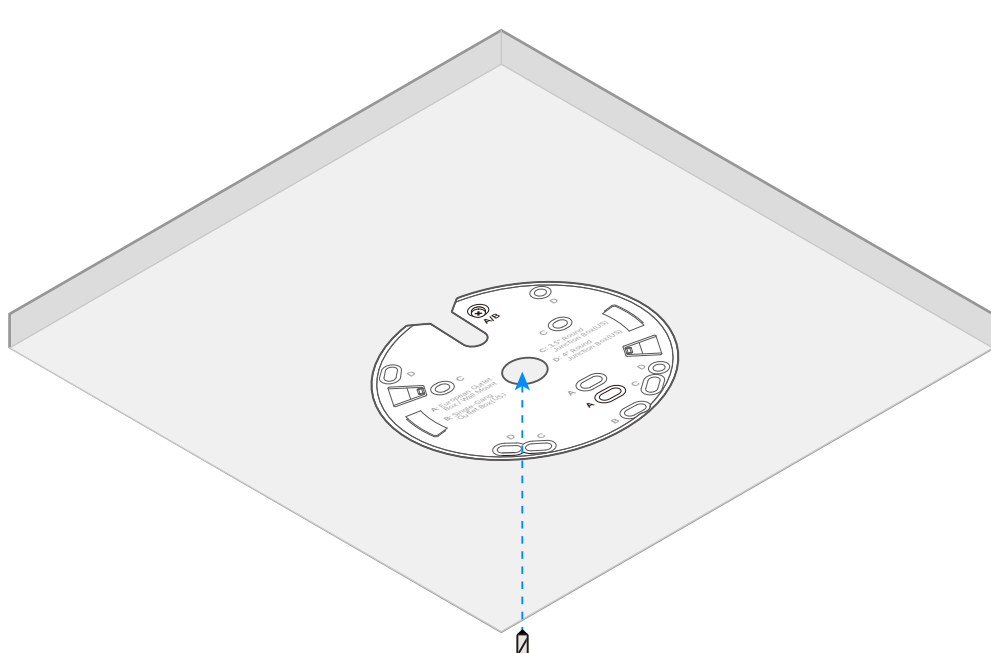
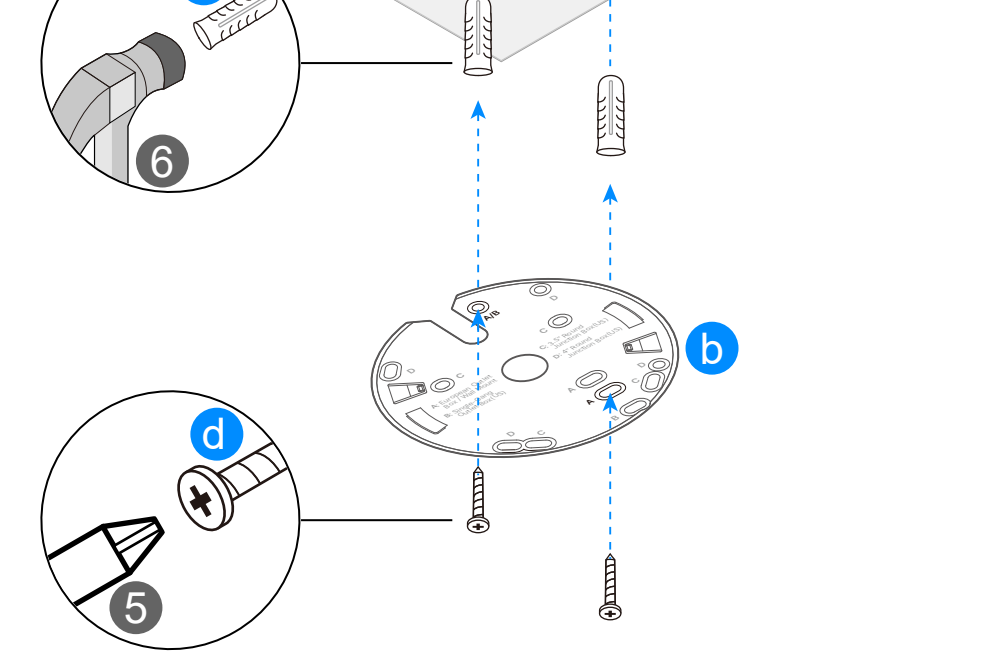
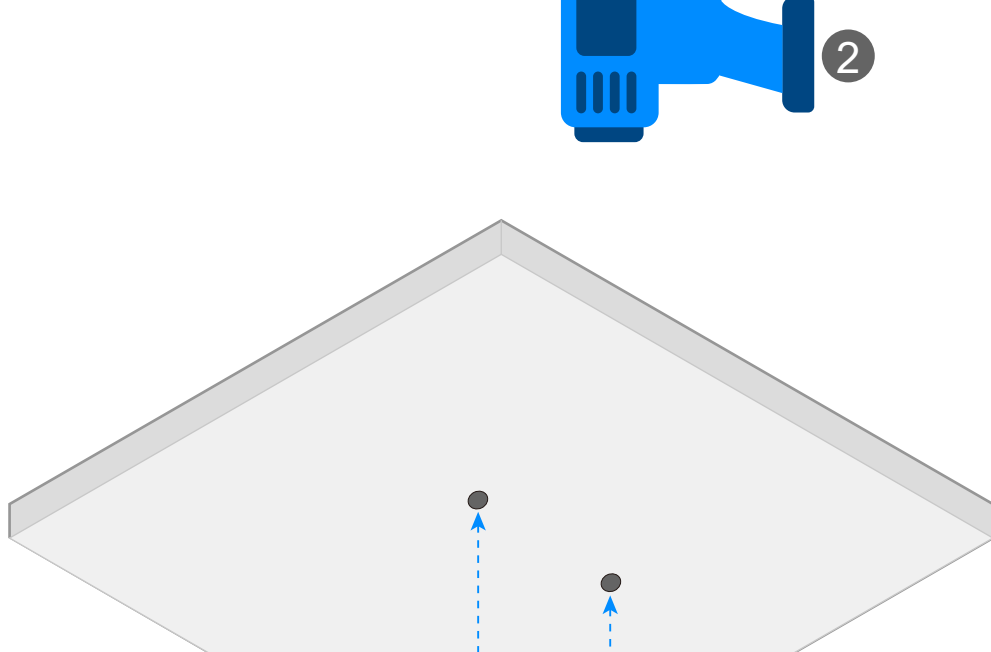
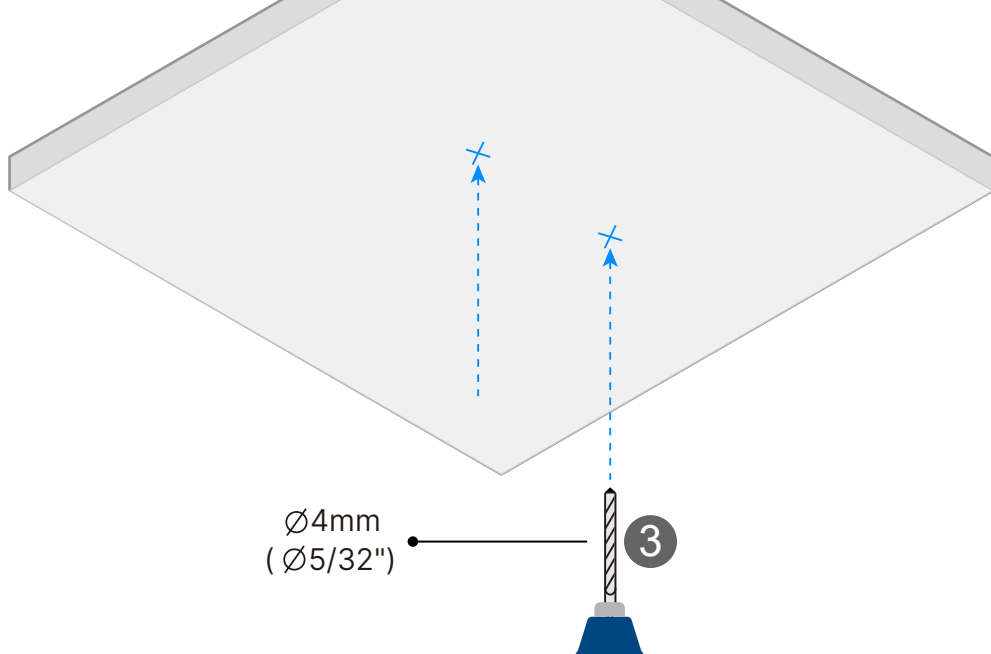
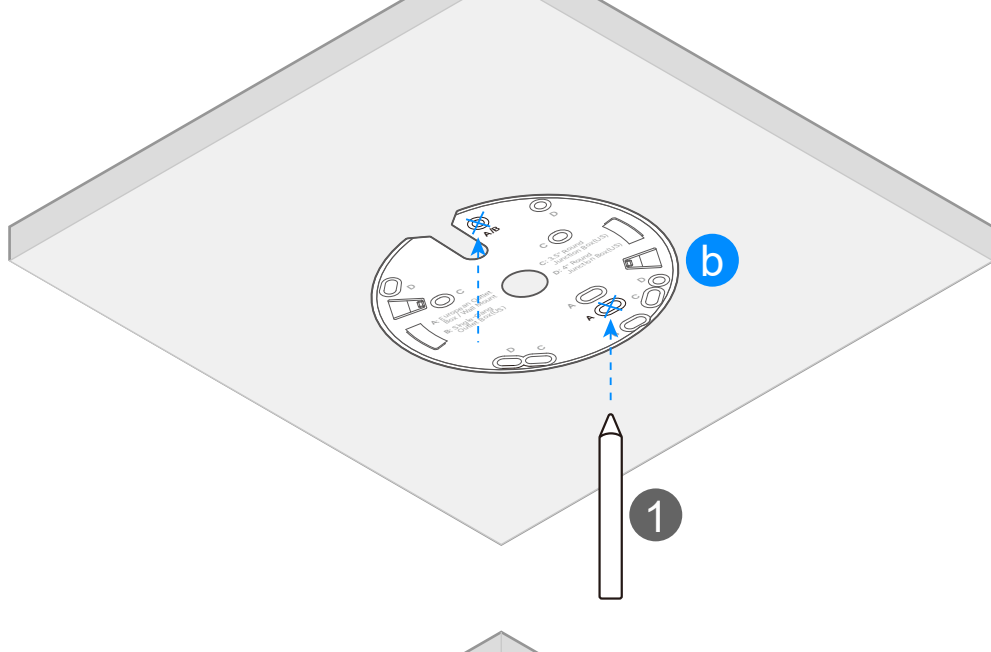
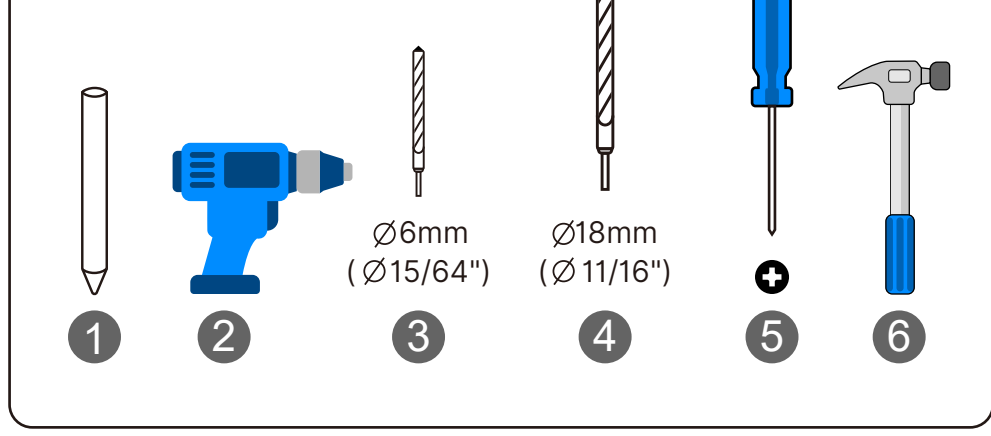
a

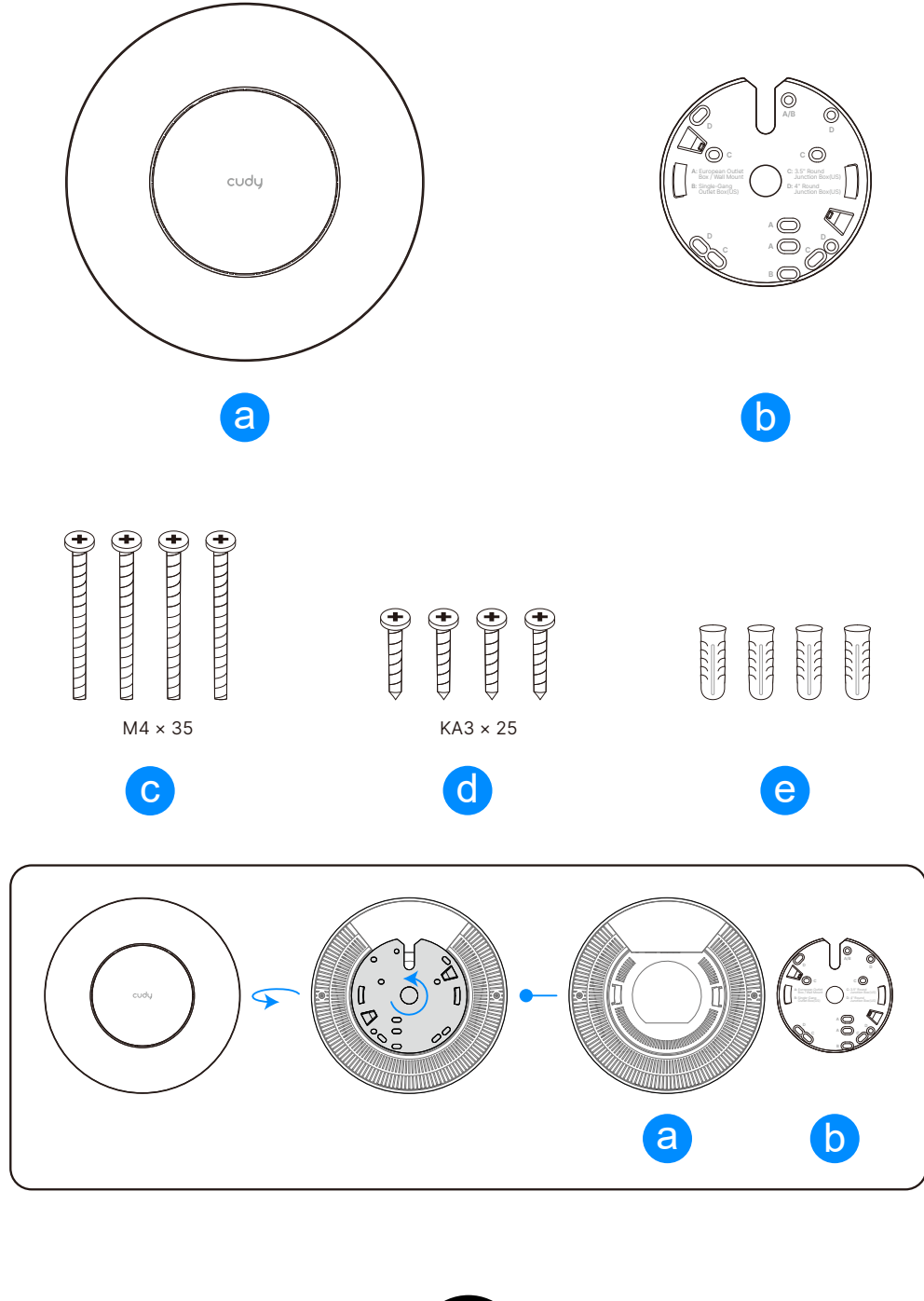
b

A

Ceiling Mounting

Mount the device directly onto the ceiling surface.

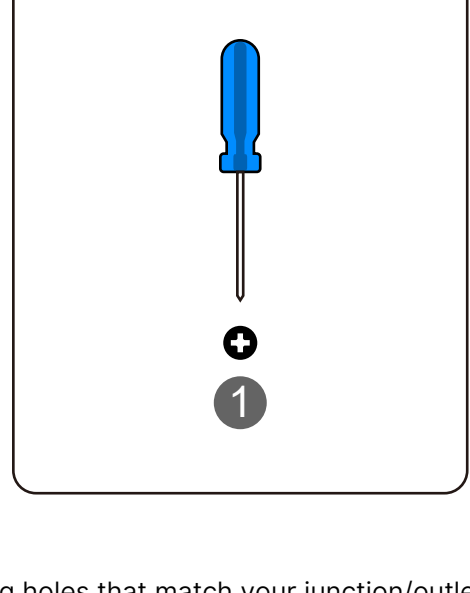
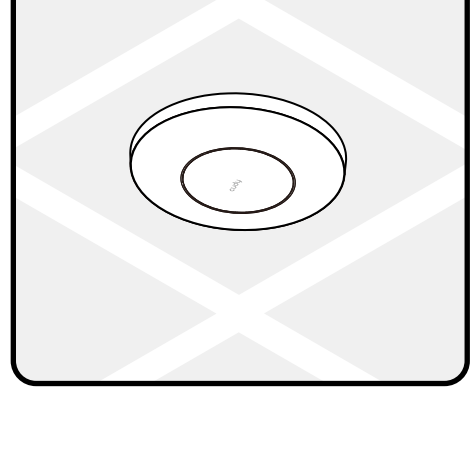




B

Ceiling Mounting

Secure the device using a junction/outlet box

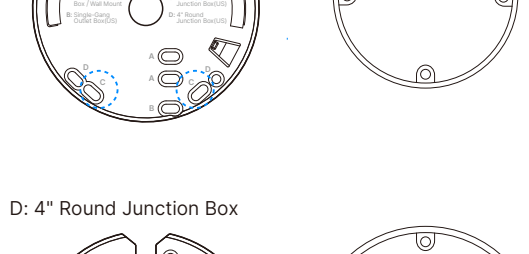


Select the mounting holes that match your junction/outlet box.

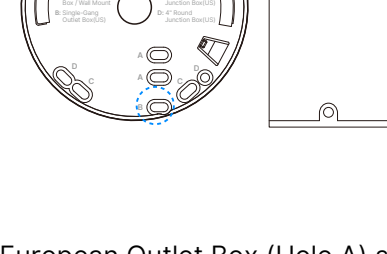
A: European Outlet Box



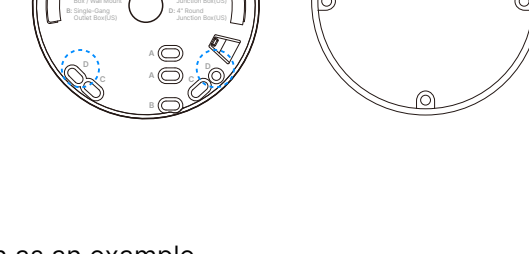
C: 3.5" Round Junction Box



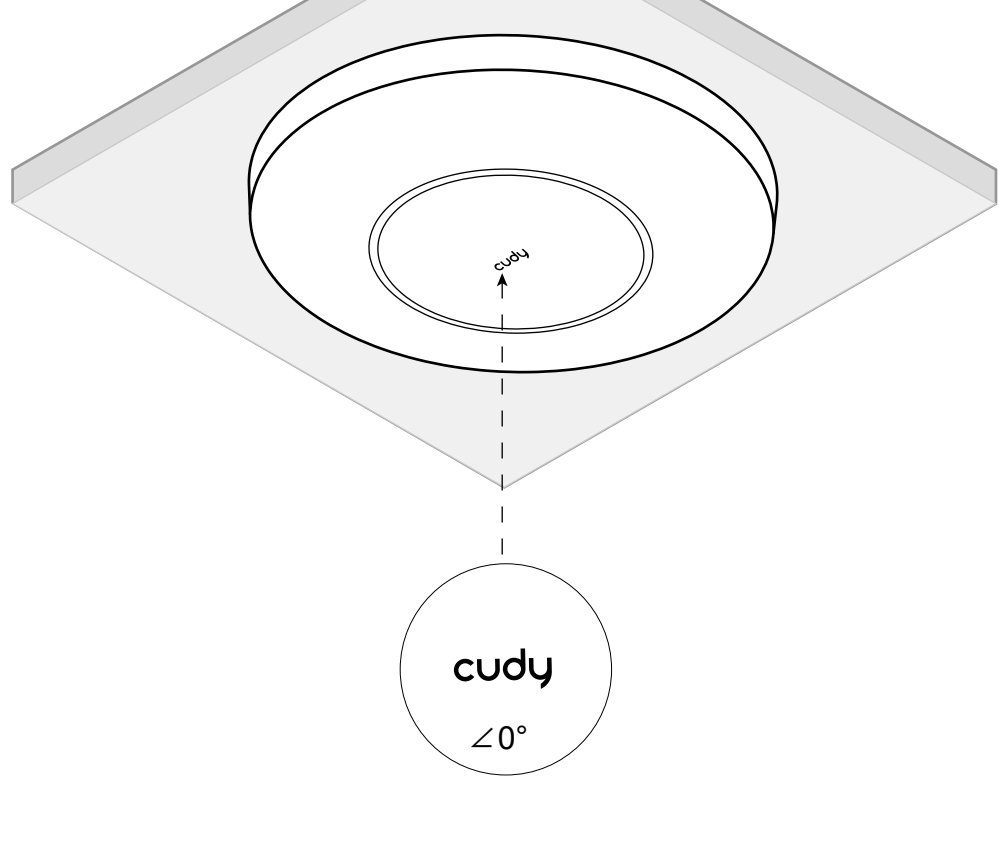
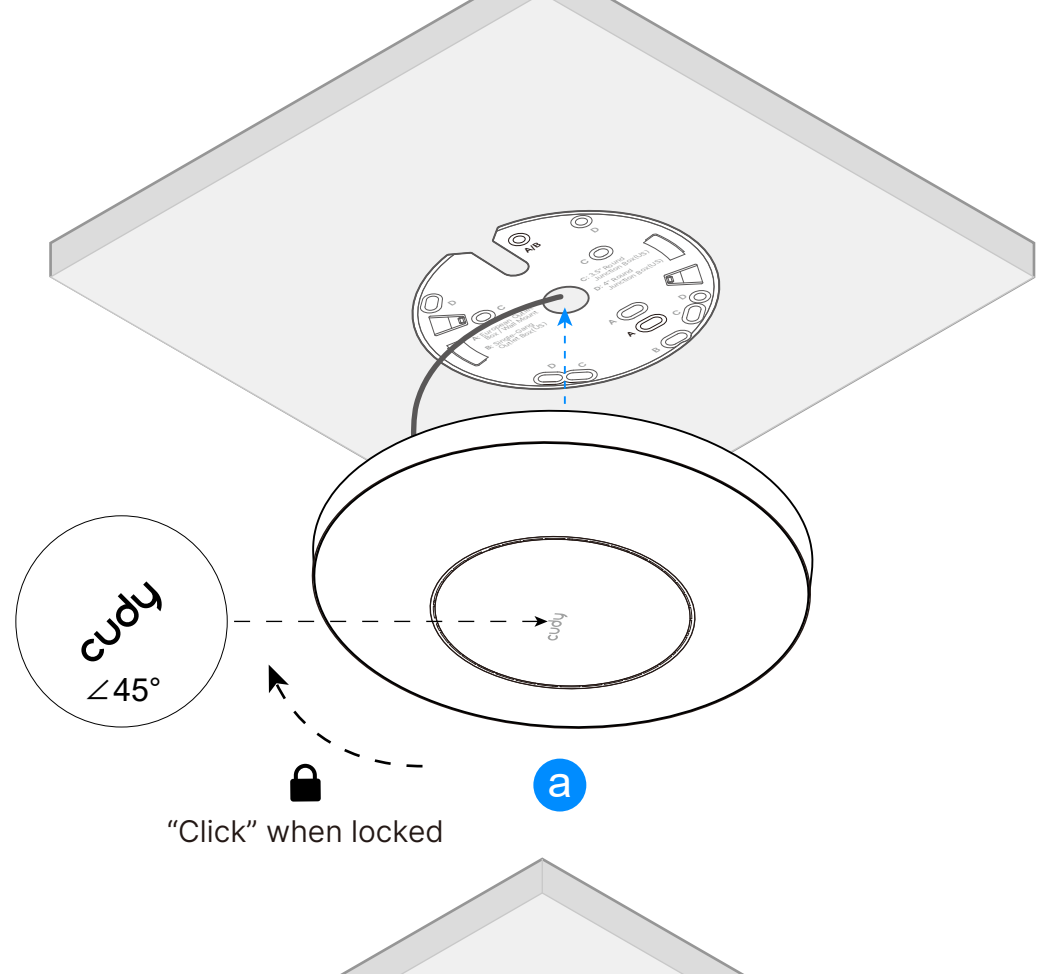
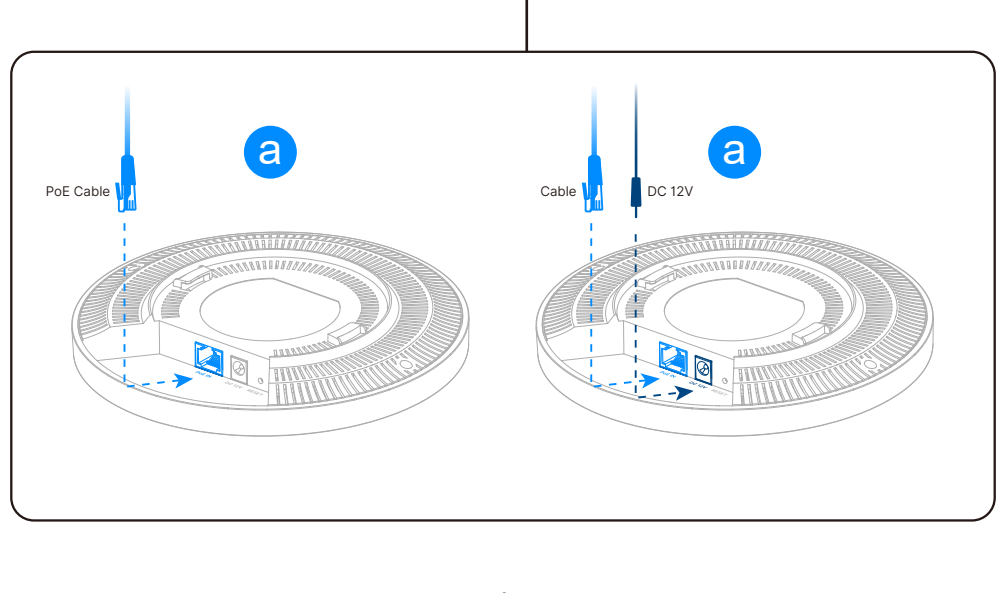
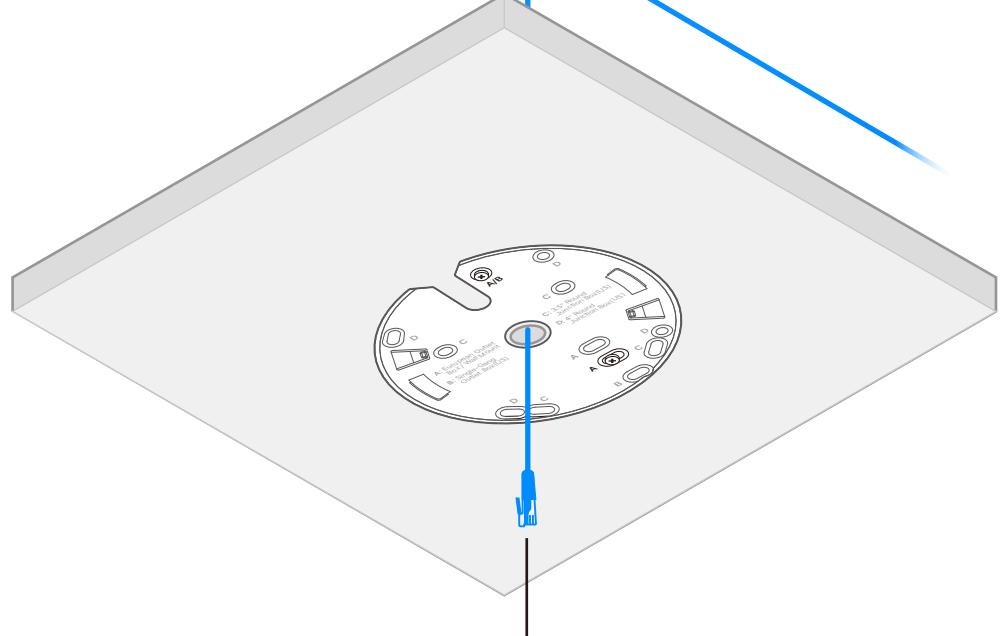
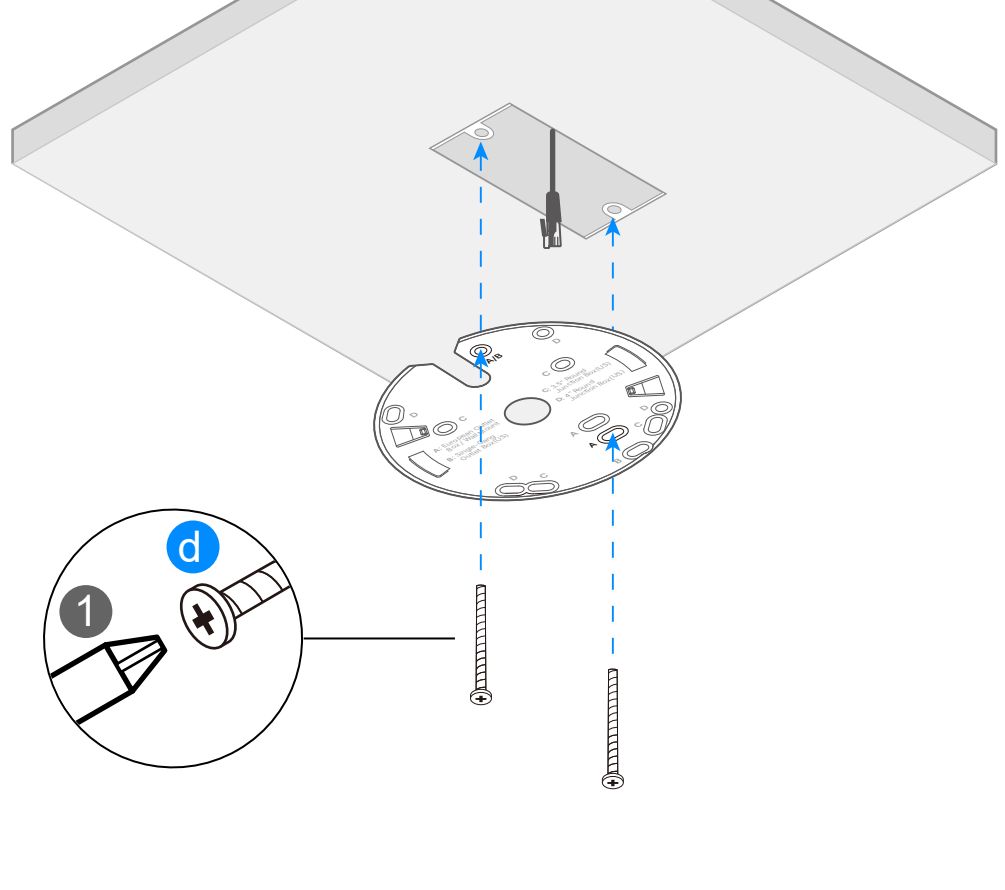
B: Single-Gang Outlet Box

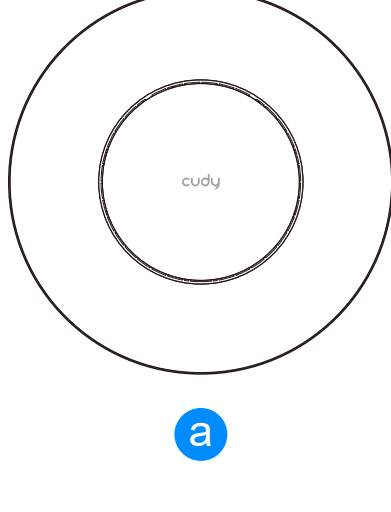


D: 4" Round Junction Box

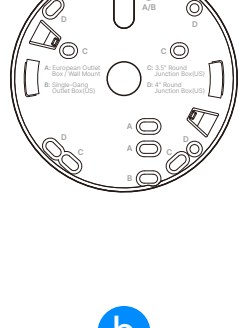


European Outlet Box (Hole A) shown as an example.

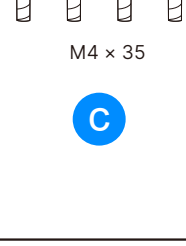




a



b



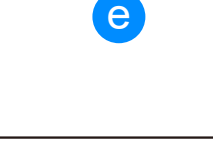
M4 x 35

c

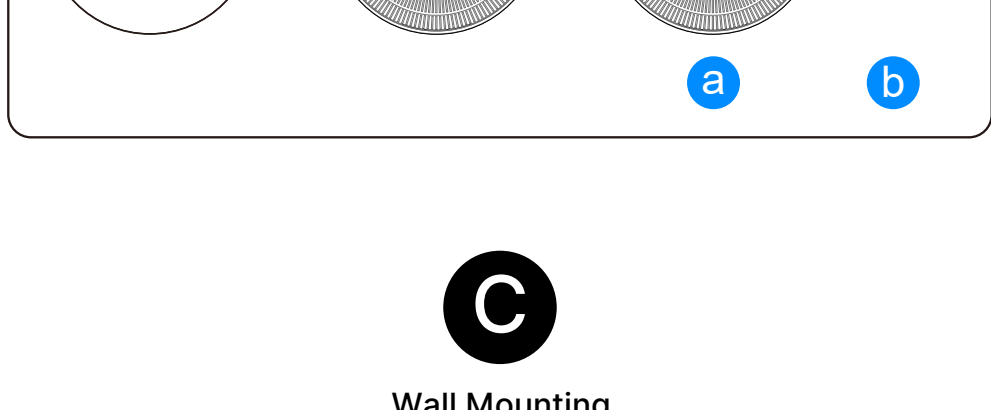


KA3 x 25

d



e



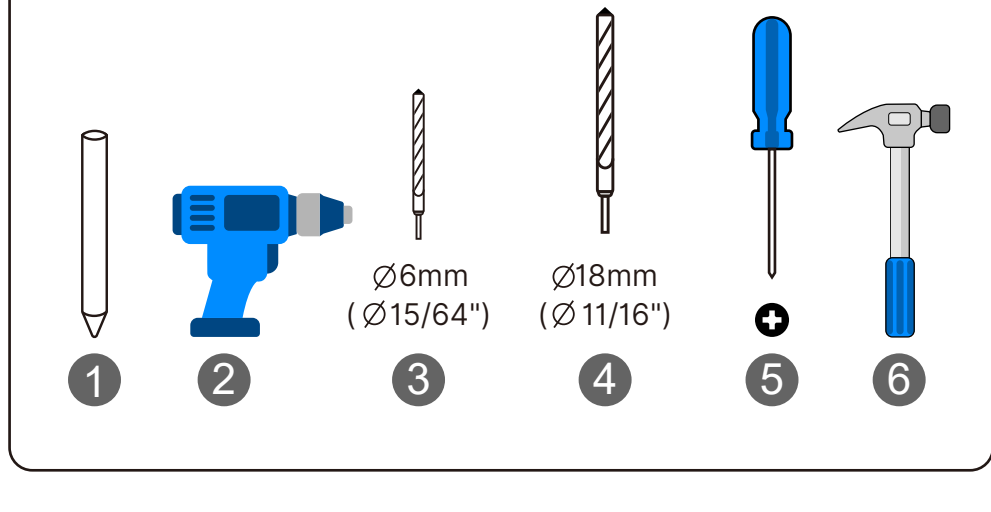
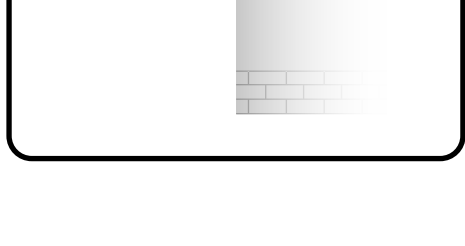
a

b

C

Wall Mounting

Mount the device directly onto the wall surface.



1

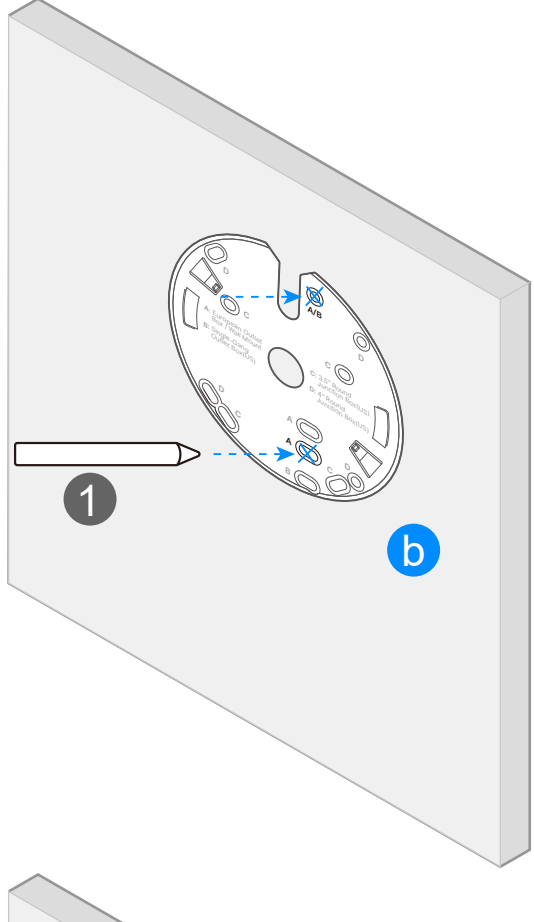
2

3

4

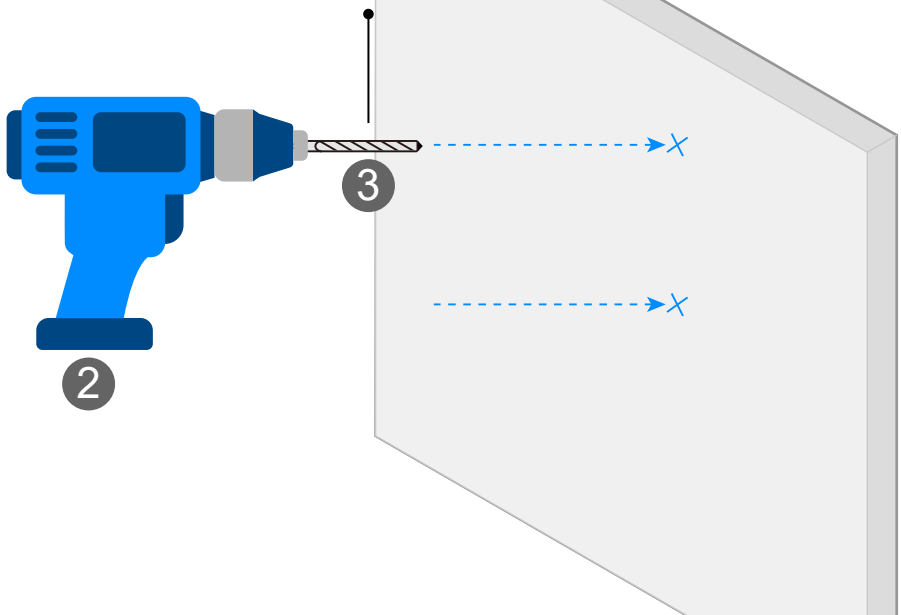
5

6



1

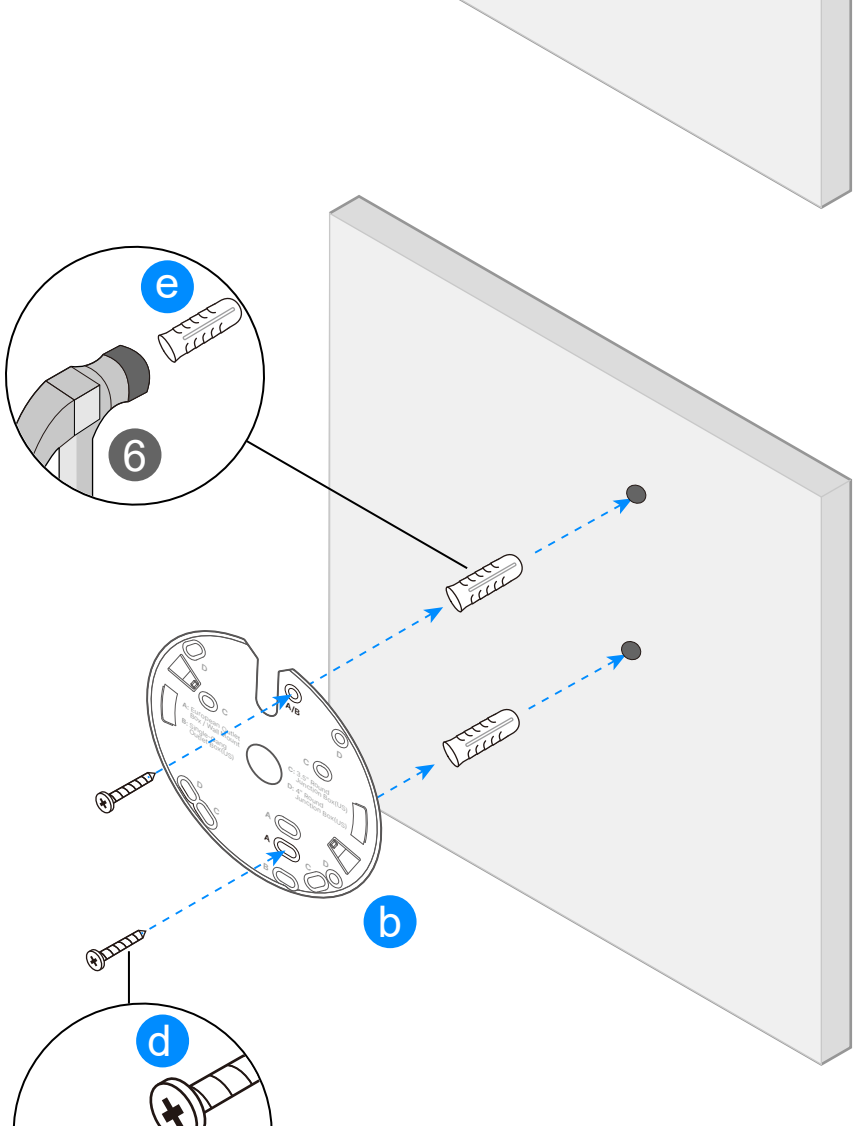
b



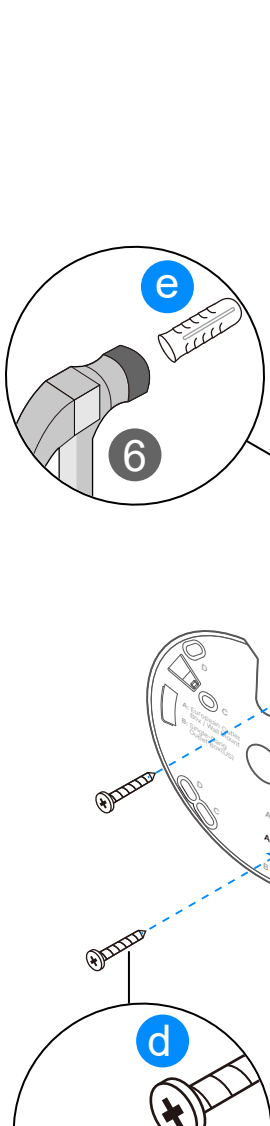
2

Ø4mm (Ø5/32")

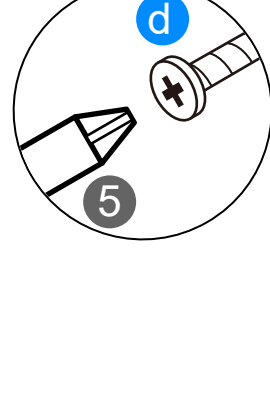
3



3



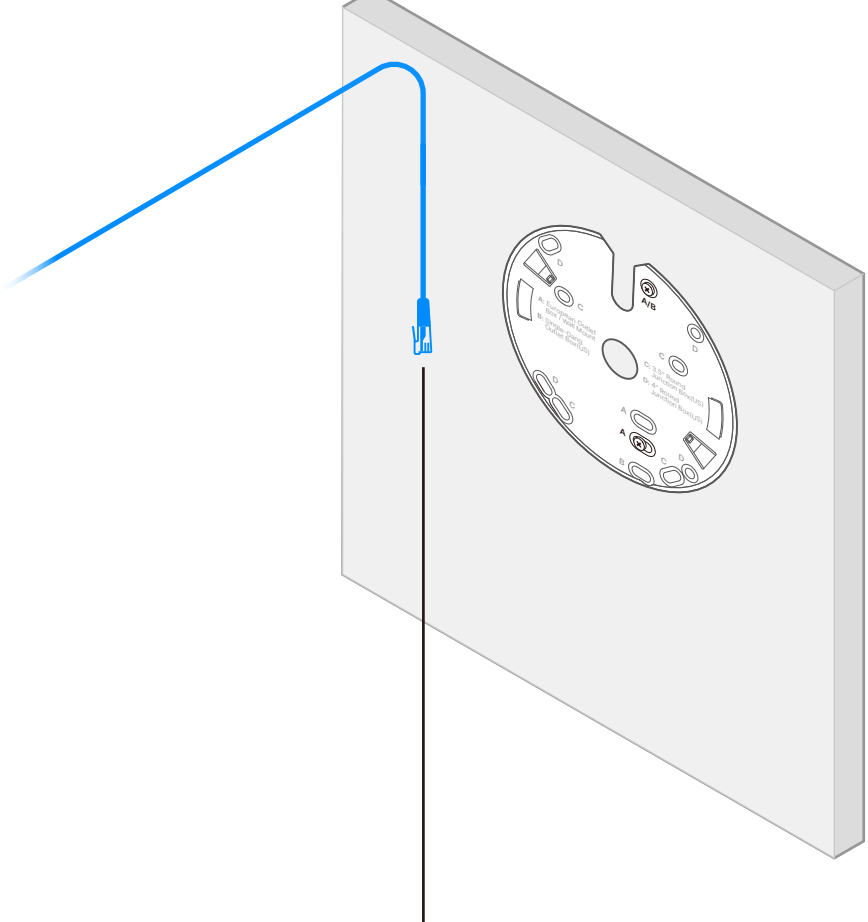
b



5

d

e

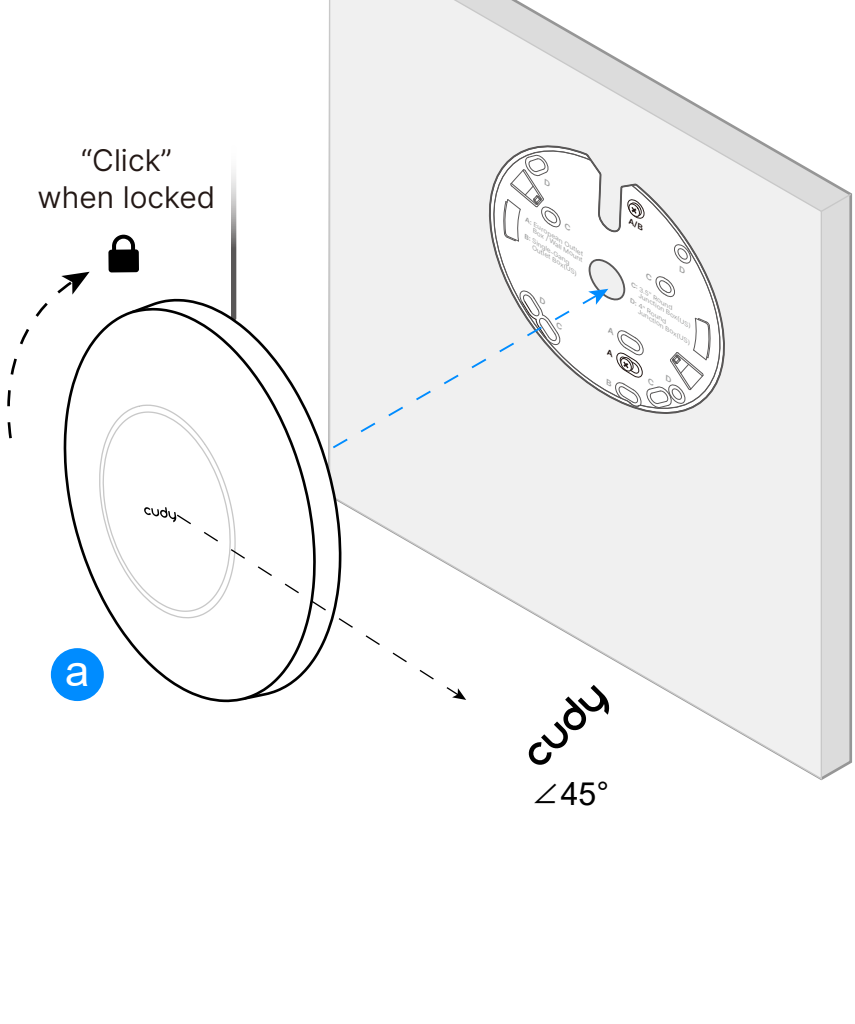


PoE Cable

DC 12V Cable

a

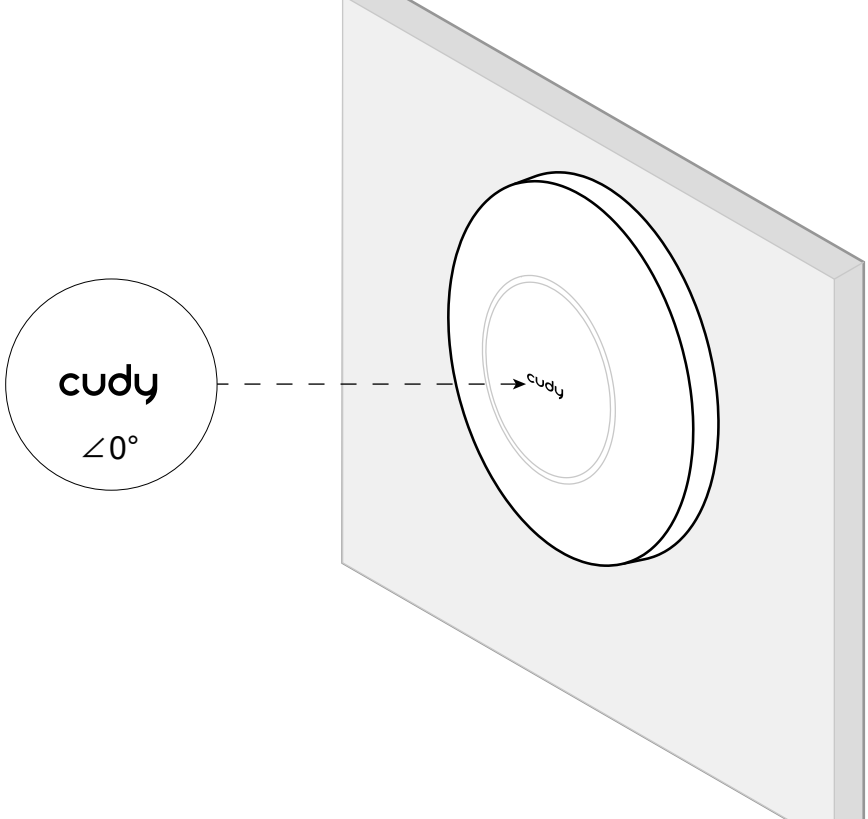
a



a

cudy

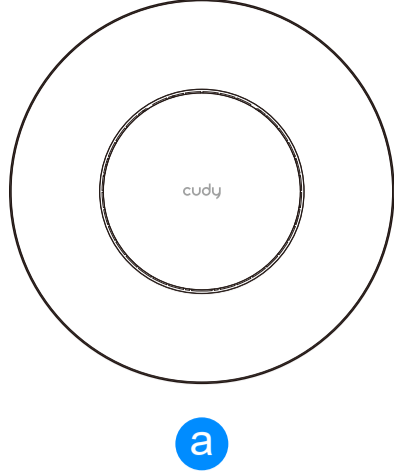
$\angle 45^\circ$



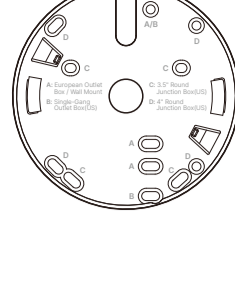
cudy

$\angle 0^\circ$

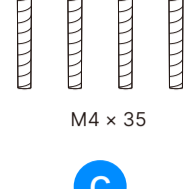
cudy



a



b



M4 x 35

c

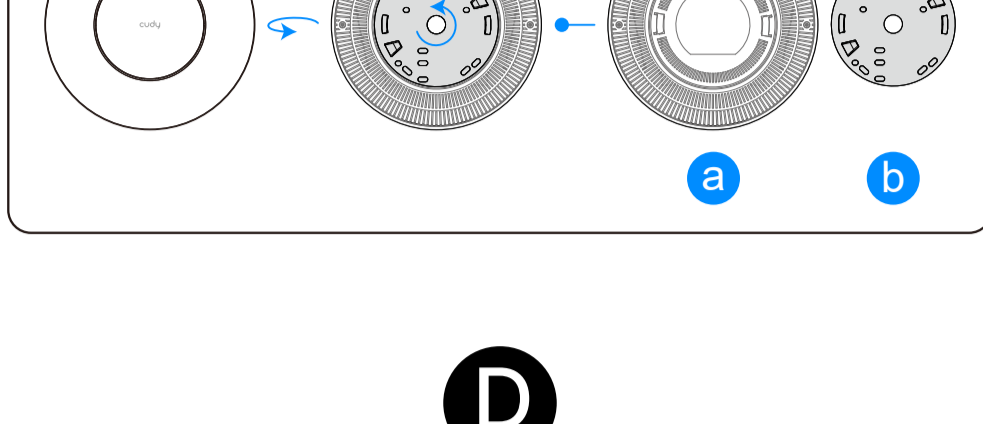


KA3 x 25

d



e



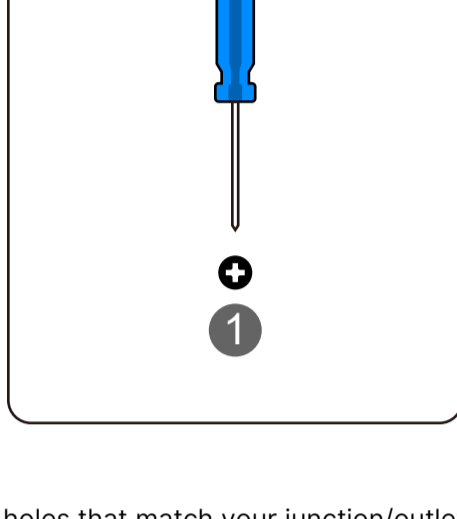
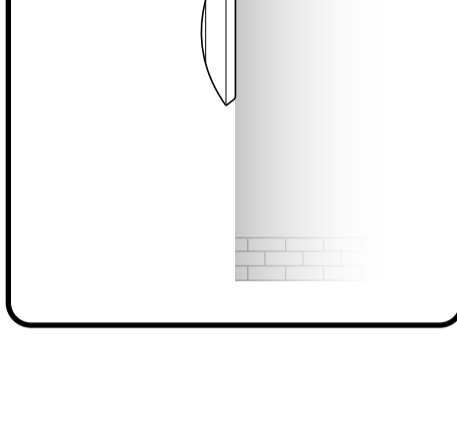
a

b

D

Wall Mounting

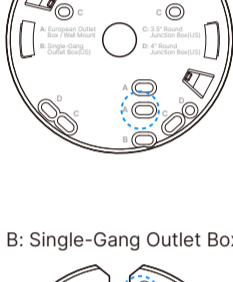
Secure the device using a junction/outlet box



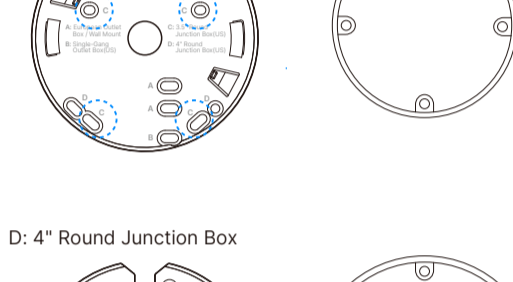
1

Select the mounting holes that match your junction/outlet box.

A: European Outlet Box



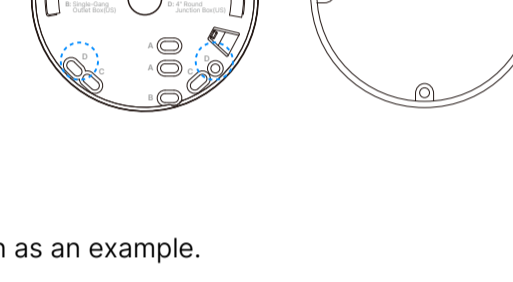
C: 3.5" Round Junction Box



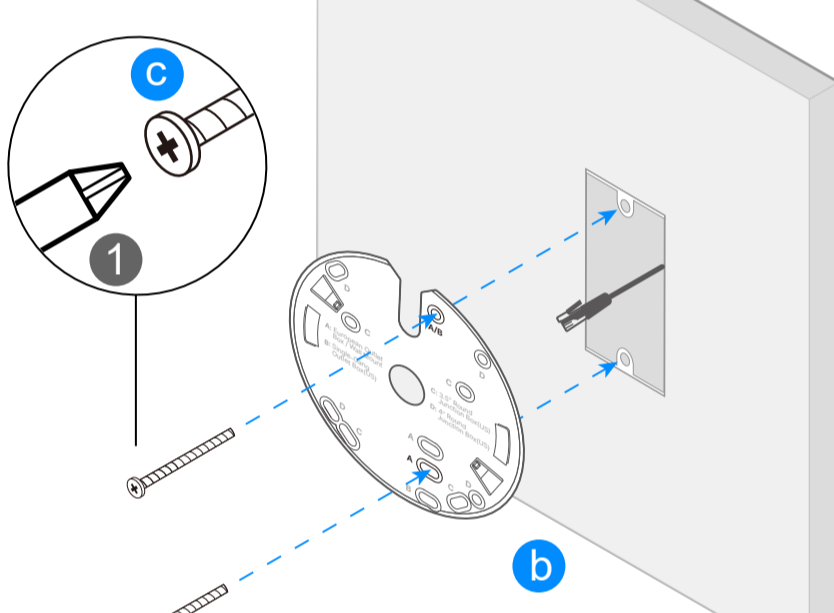
B: Single-Gang Outlet Box



D: 4" Round Junction Box

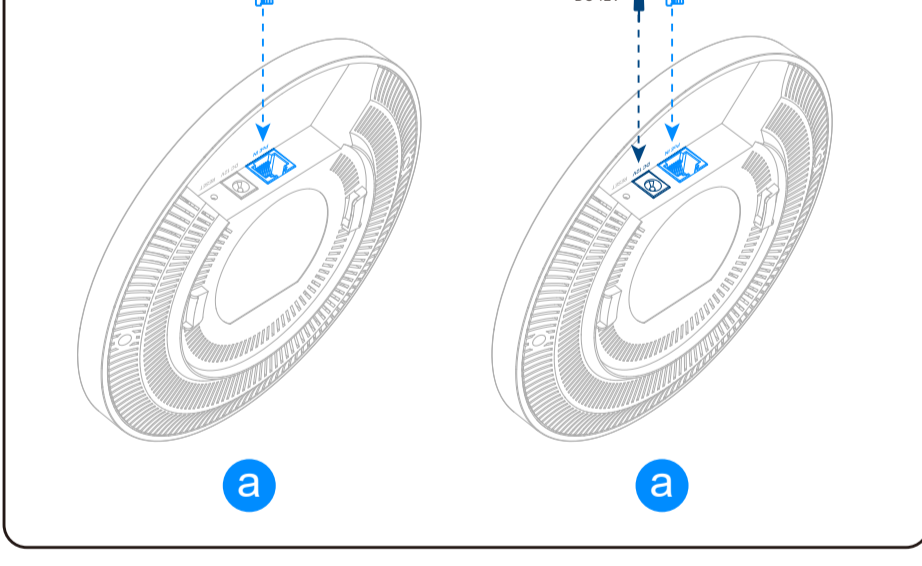
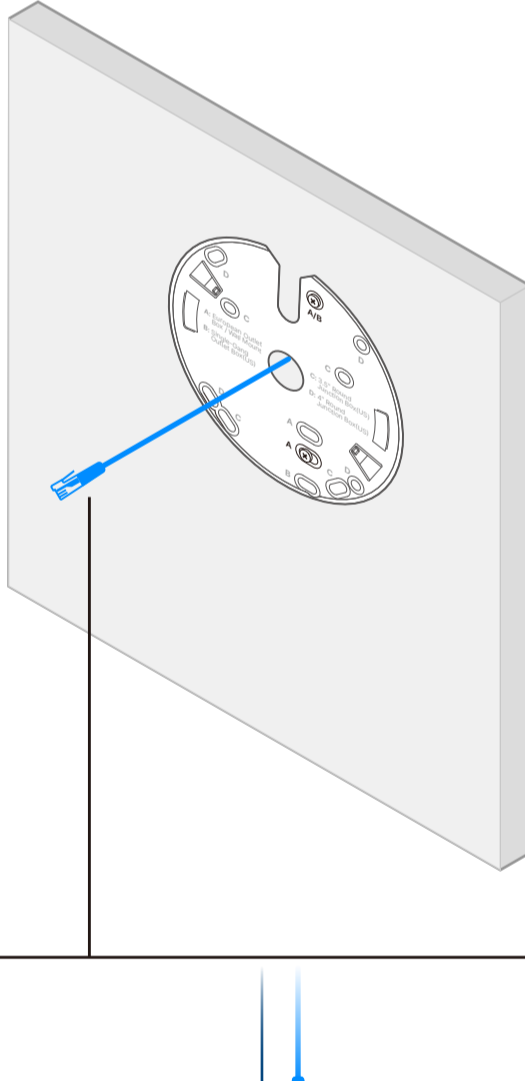


European Outlet Box (Hole A) shown as an example.



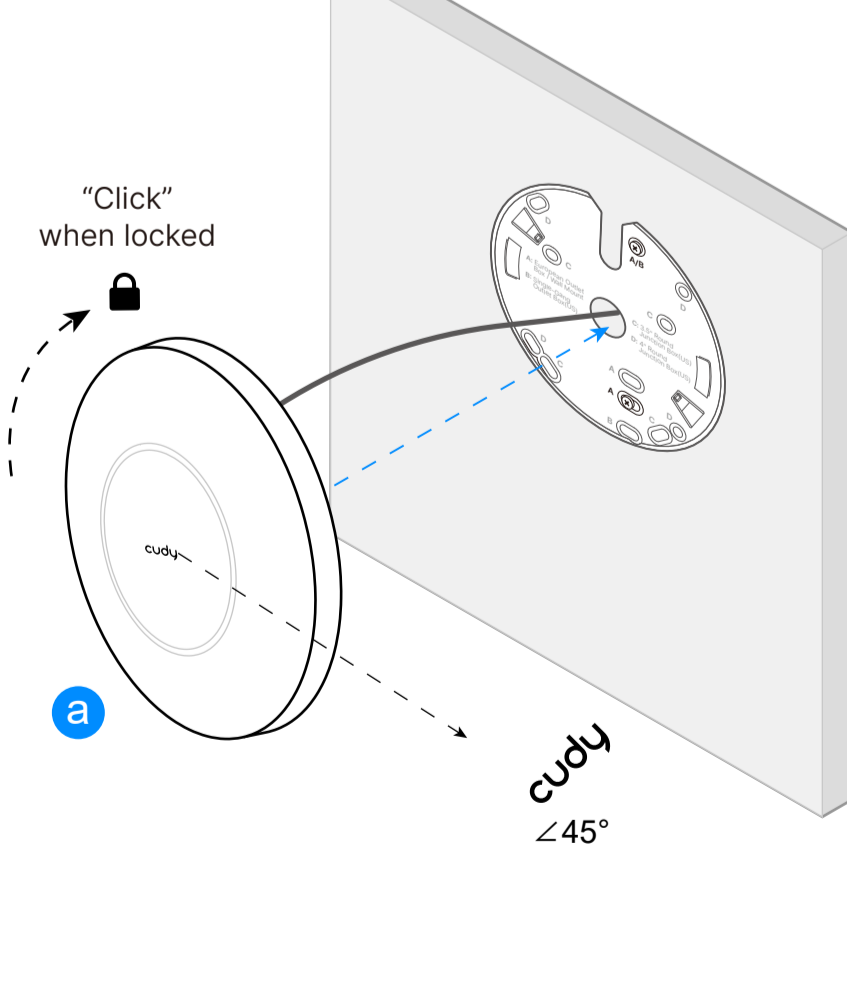
1

b



a

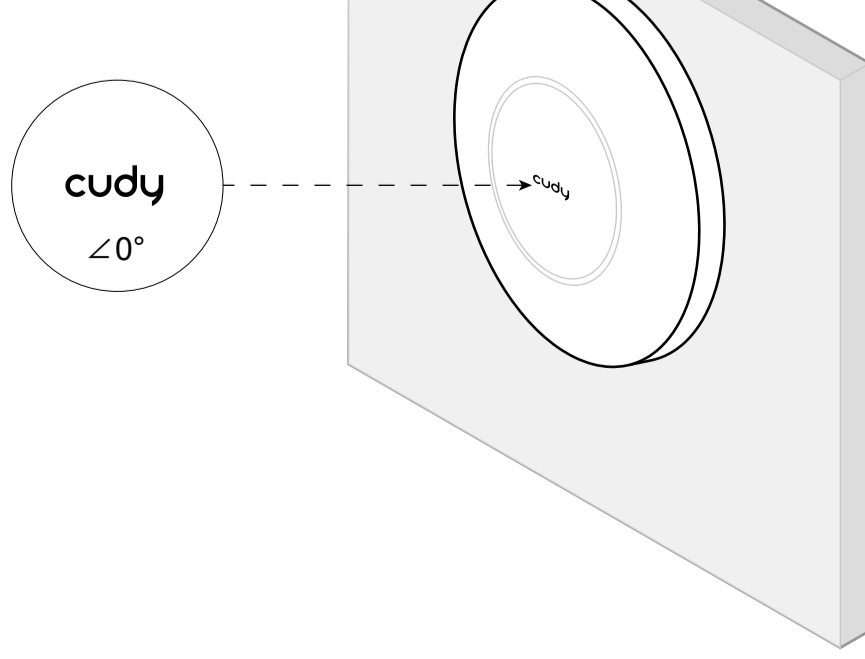
a



a

cudy

<45°



cudy

<0°