



Select Your Model:

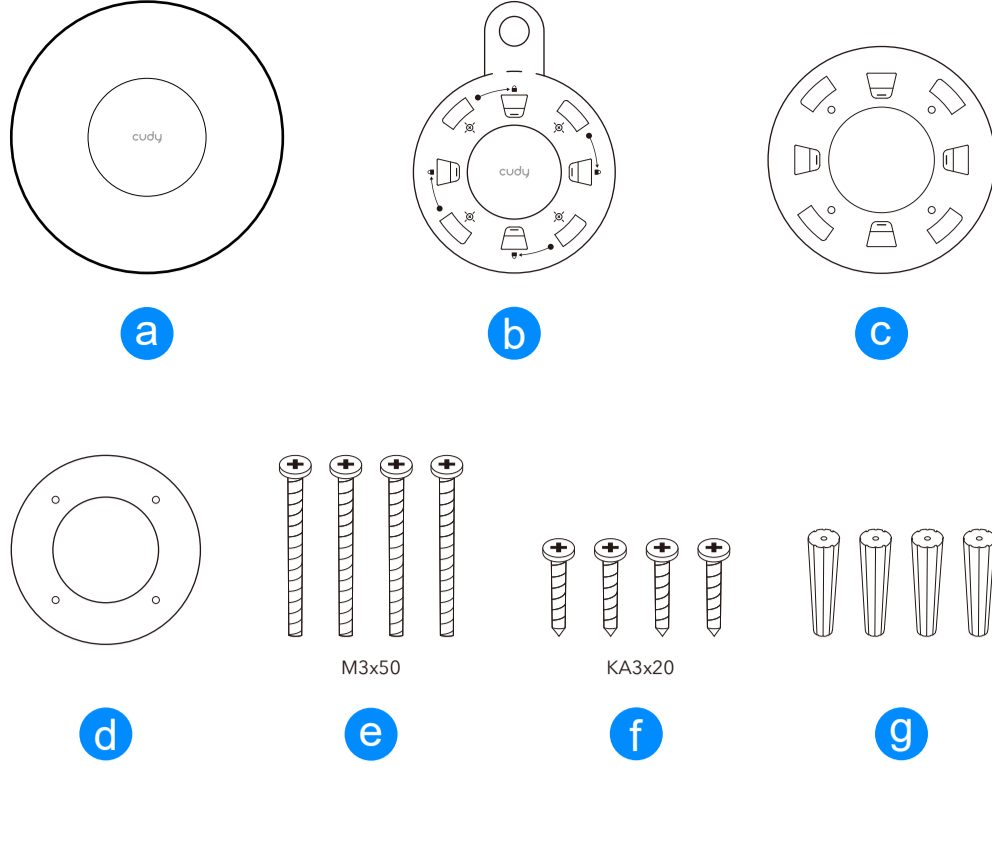
Please [click](#) on your model below to view the corresponding instructions.



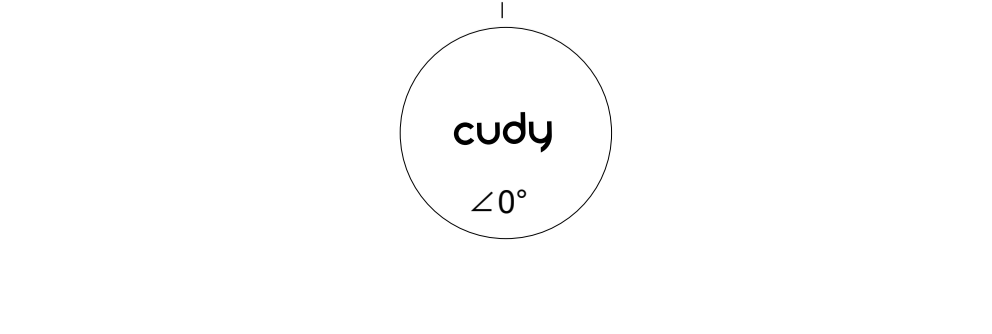
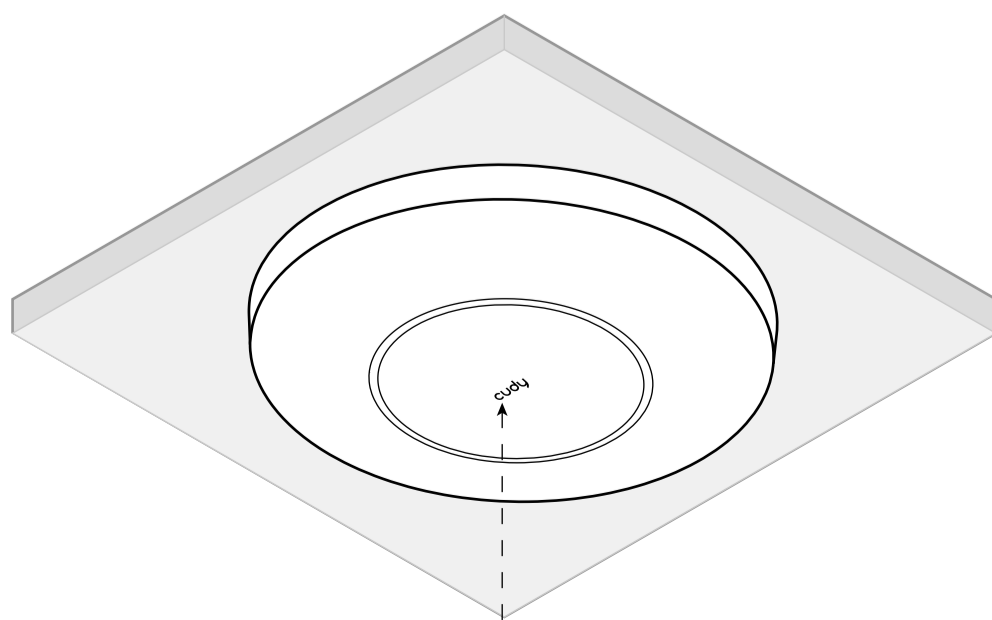
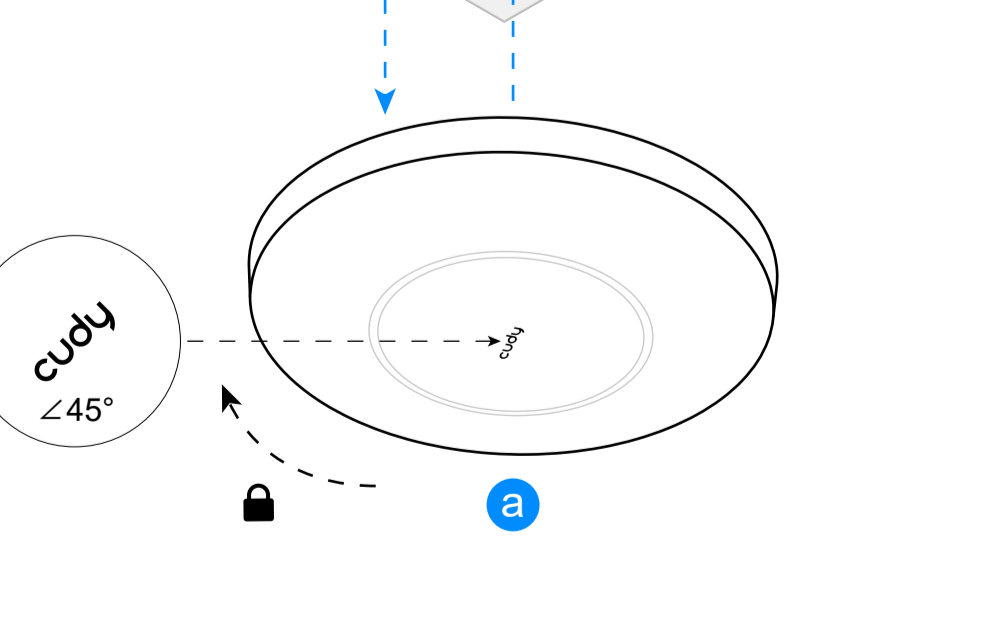
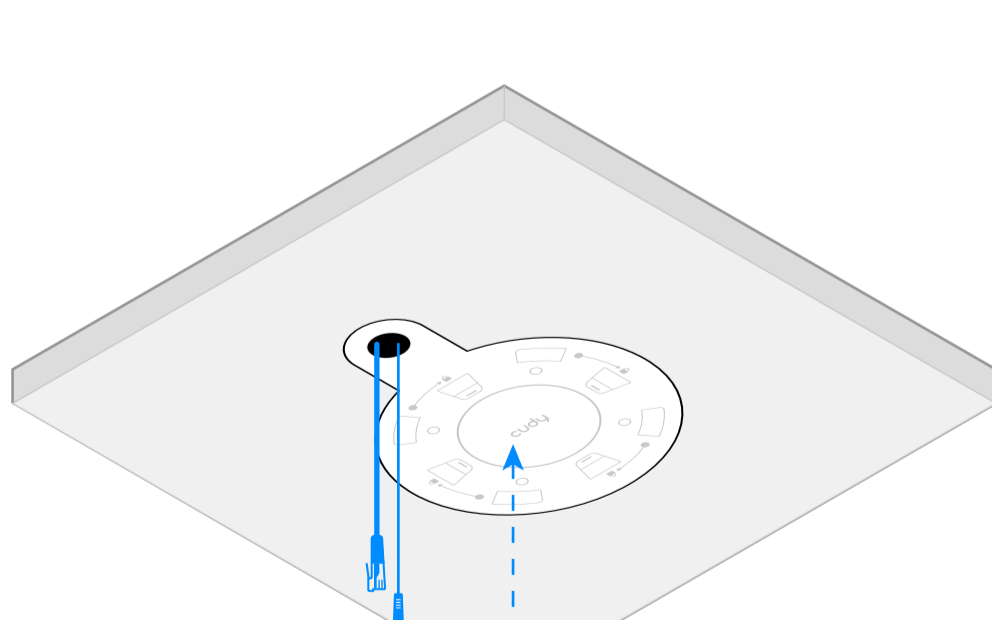
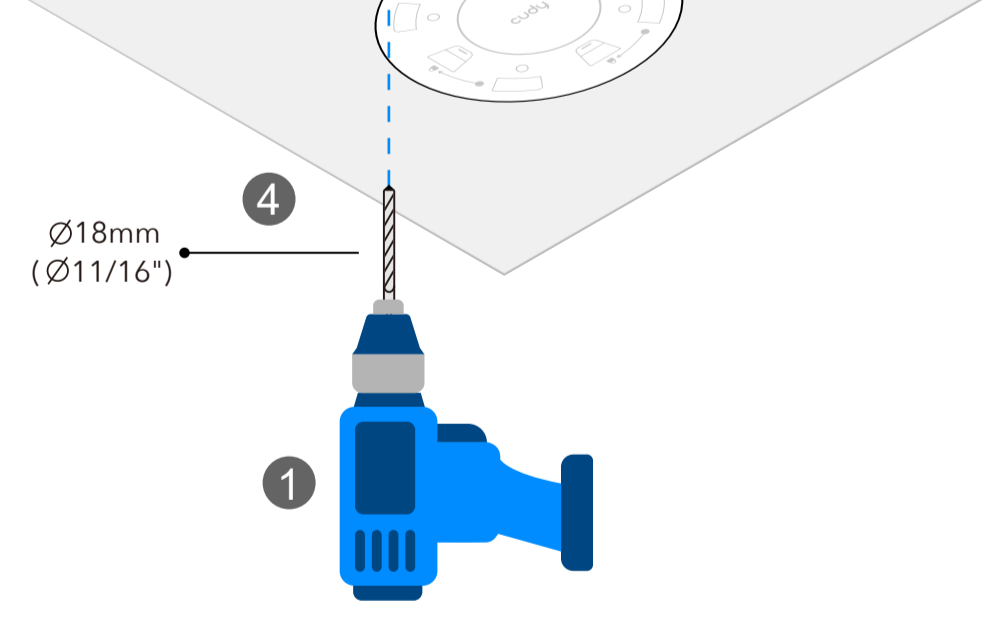
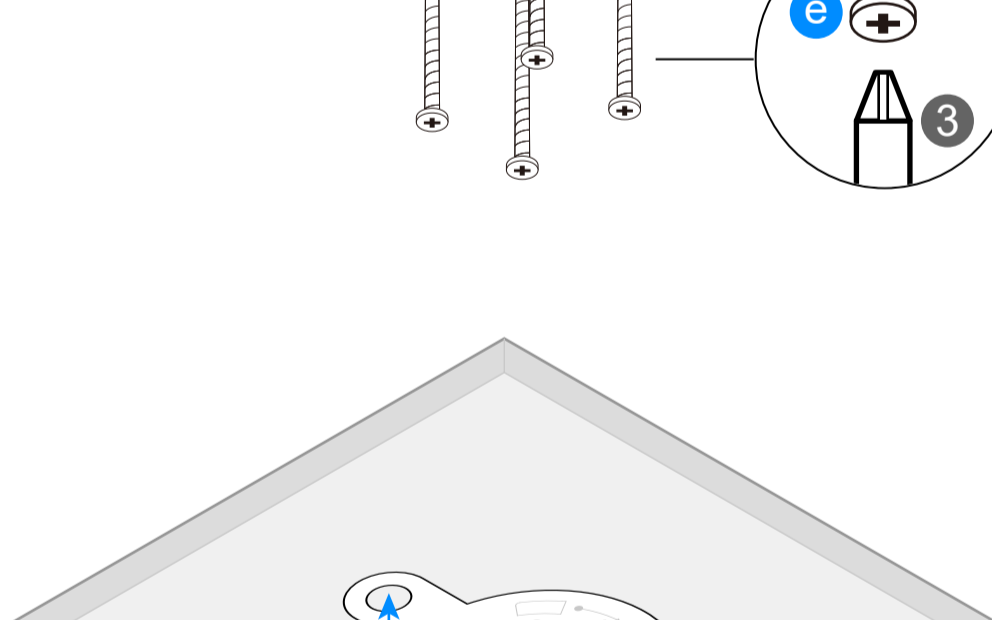
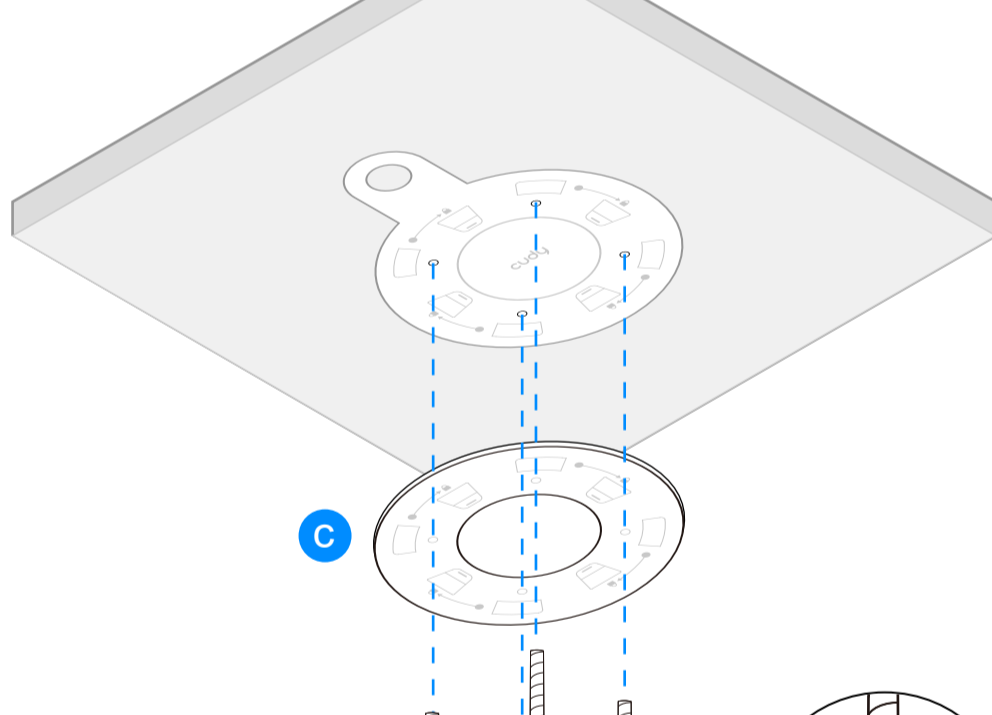
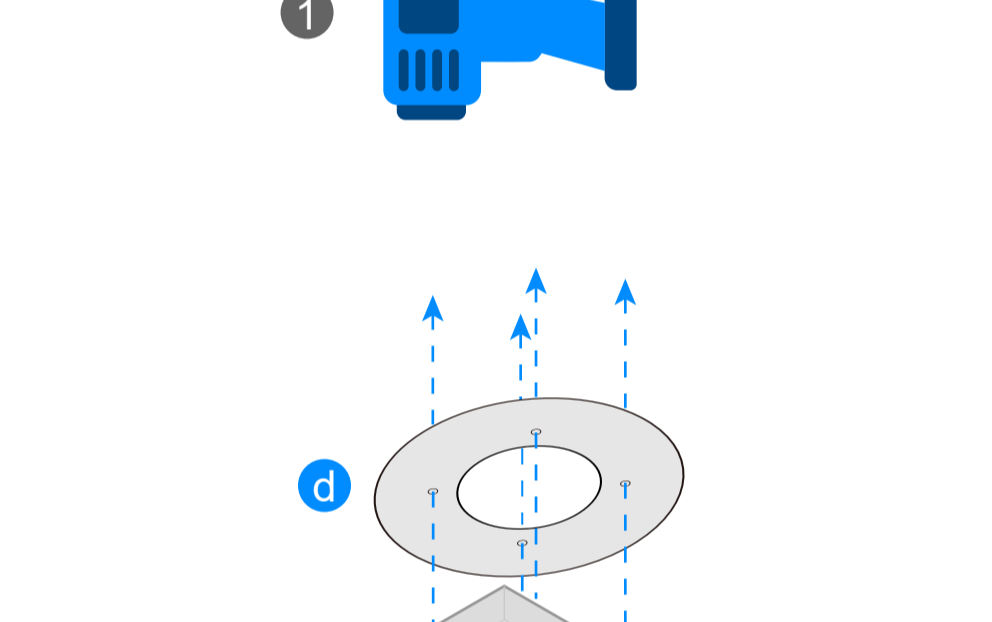
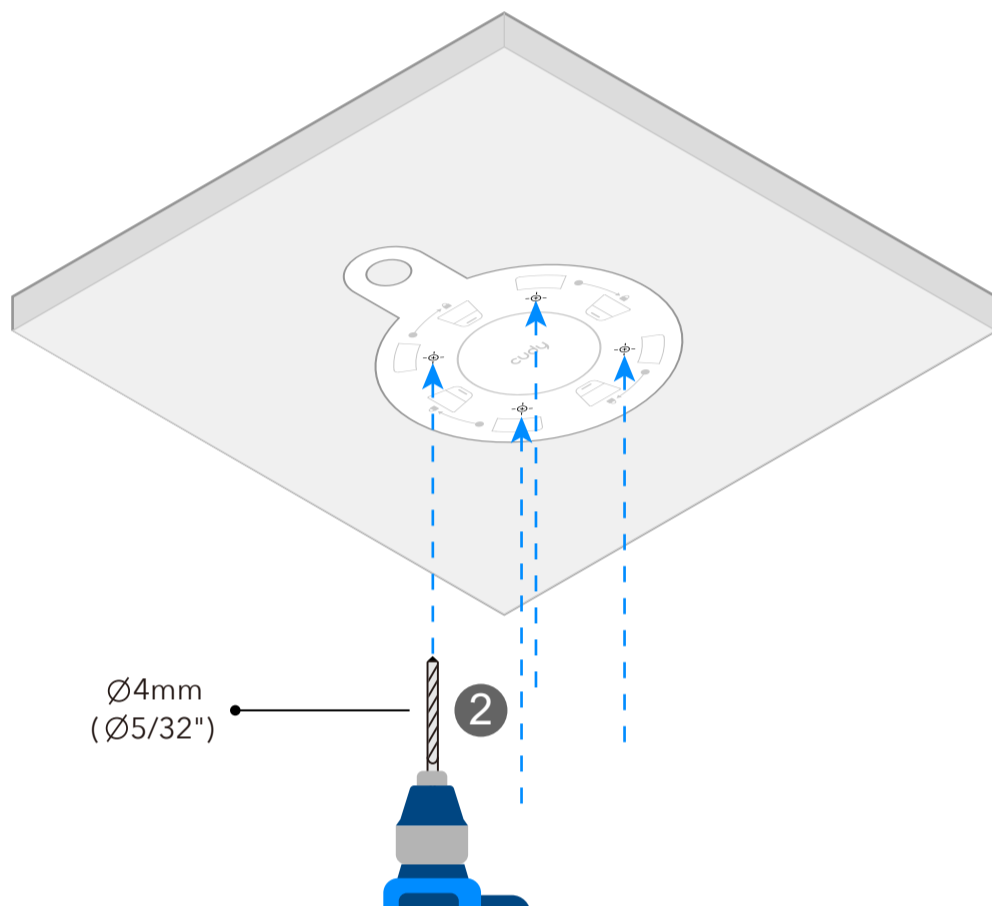
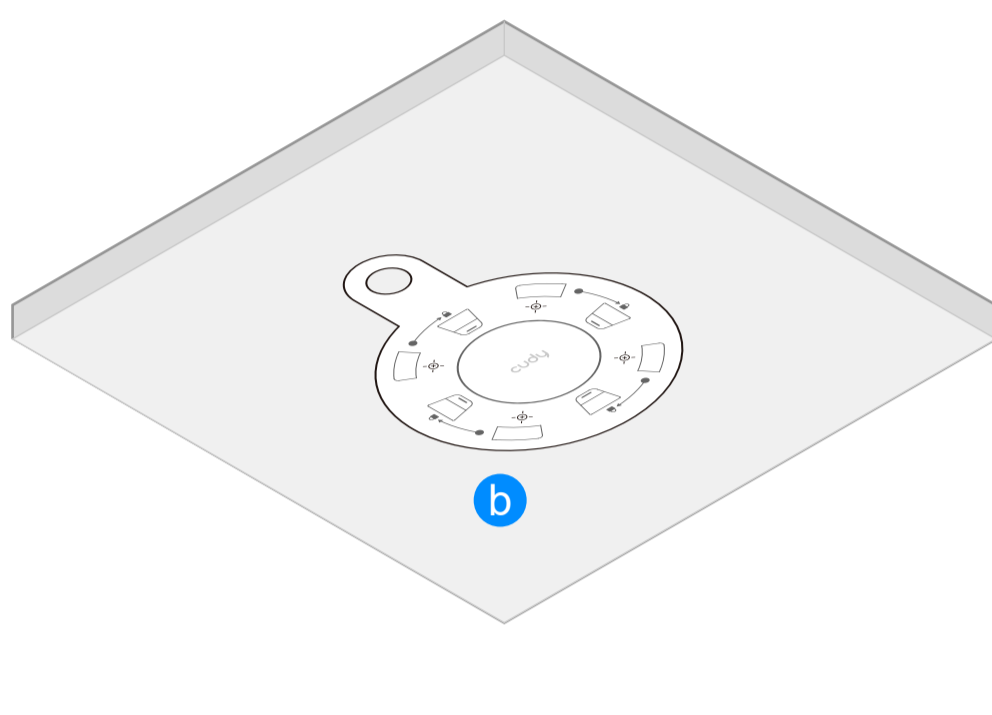
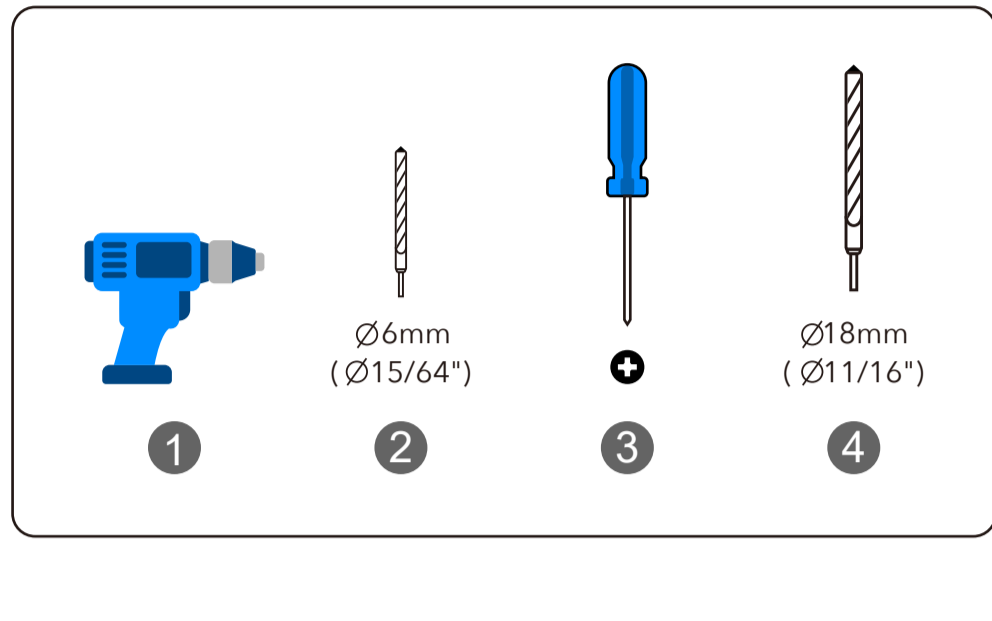
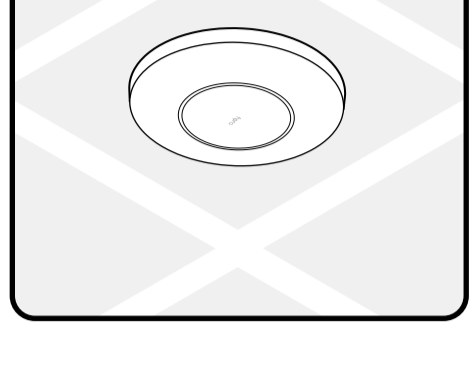
AP1200 | AP1300 1.0 | AP3000 | AP3600 | AP6500 | AP11000

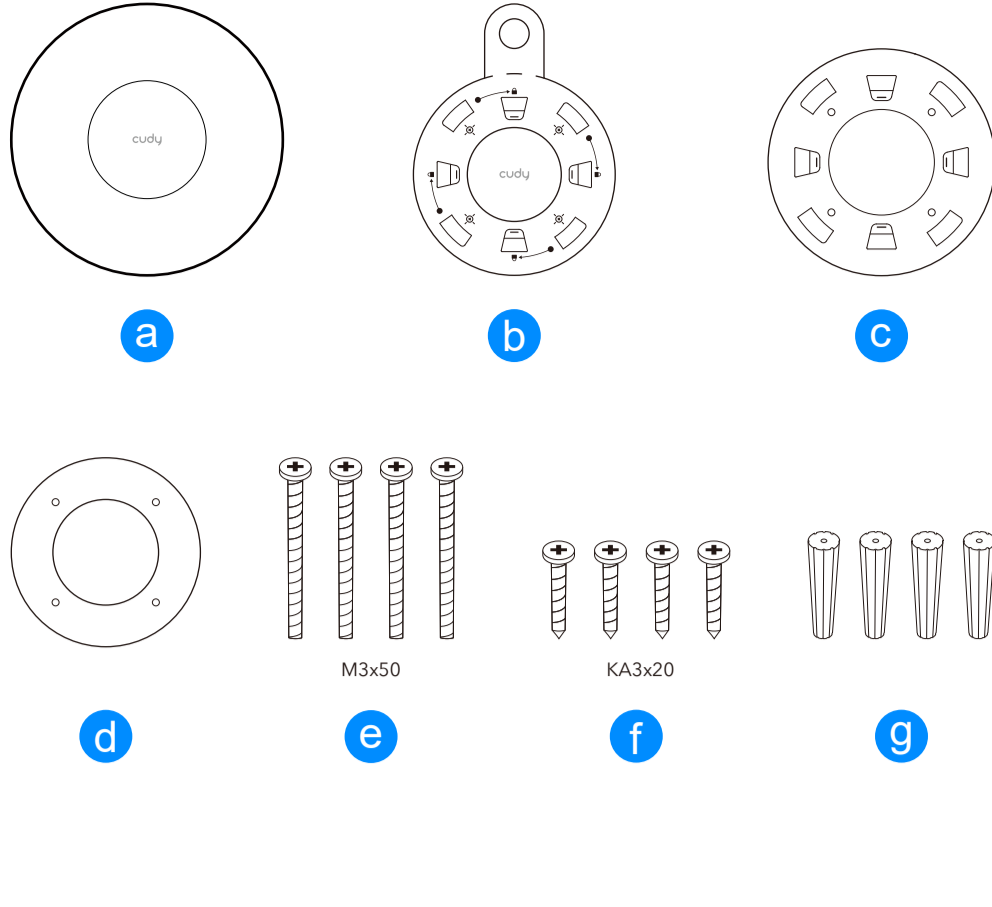


AP1300 2.0 | AP3000S | AP3600 2.0

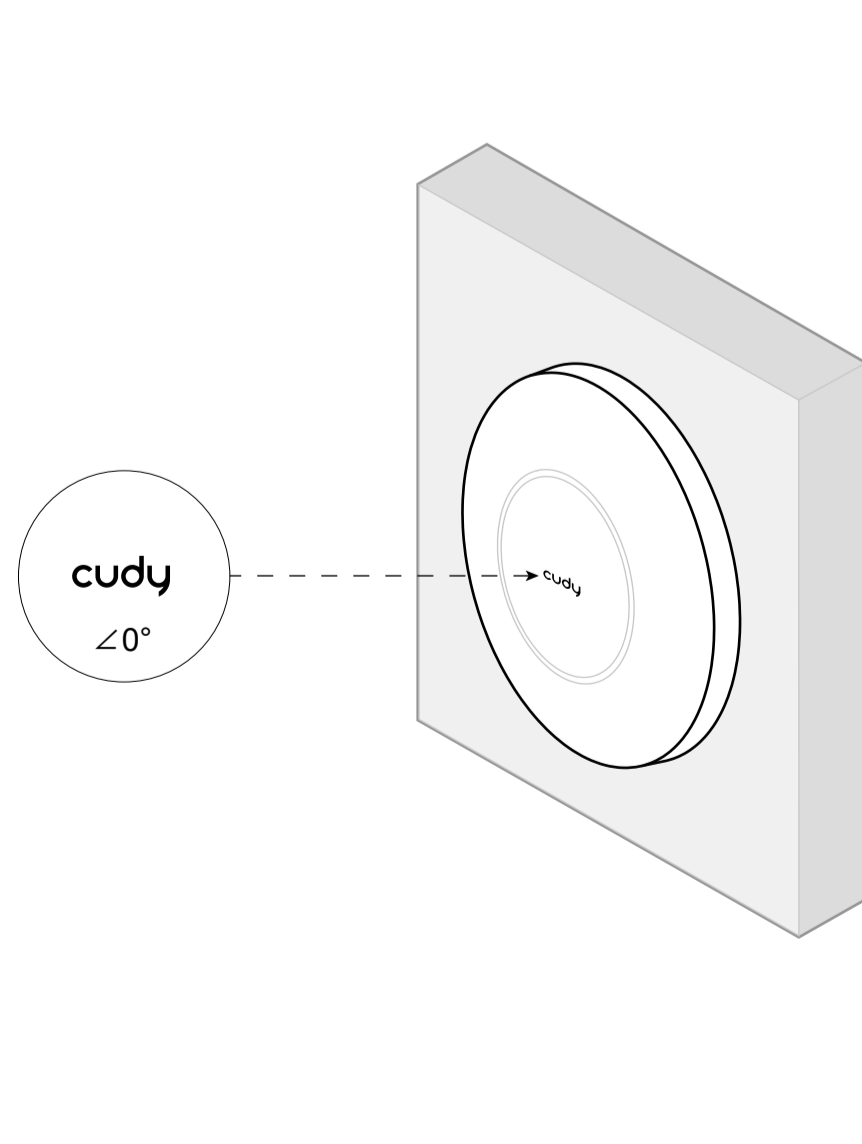
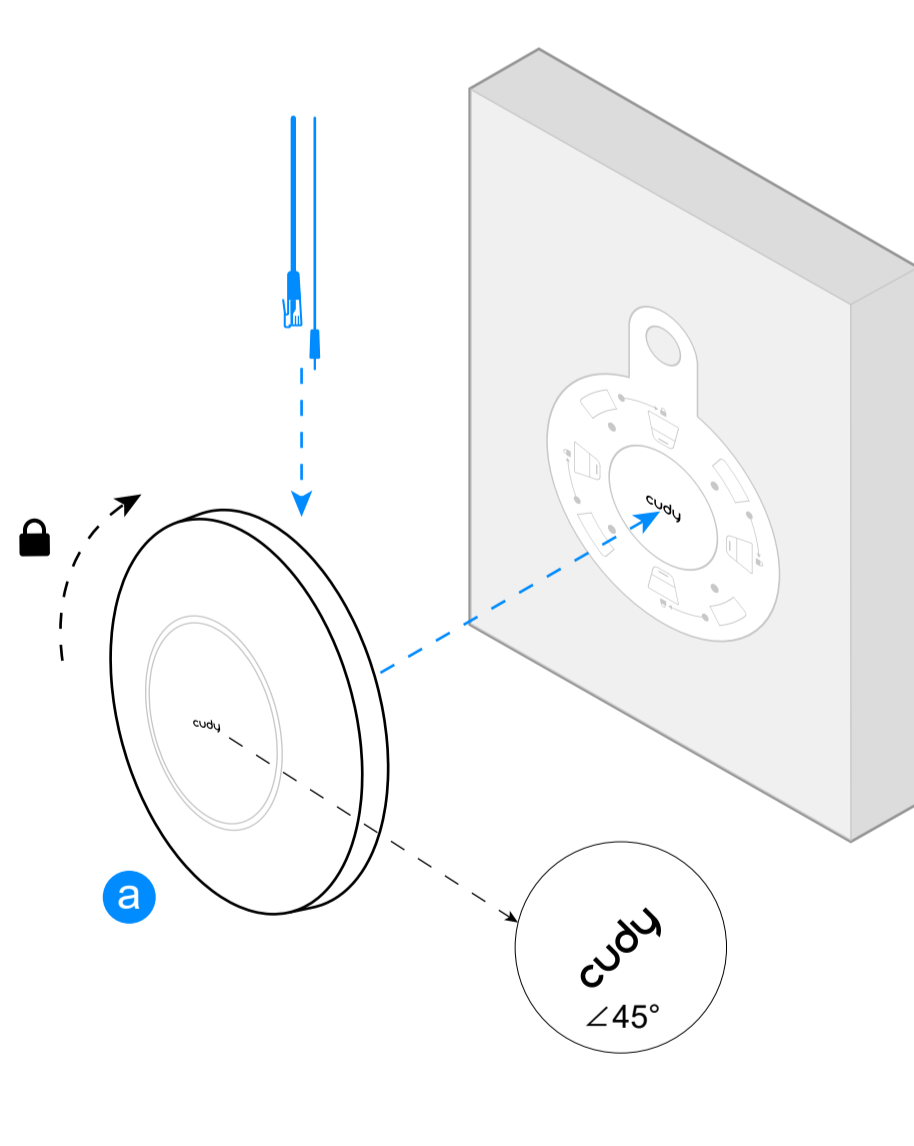
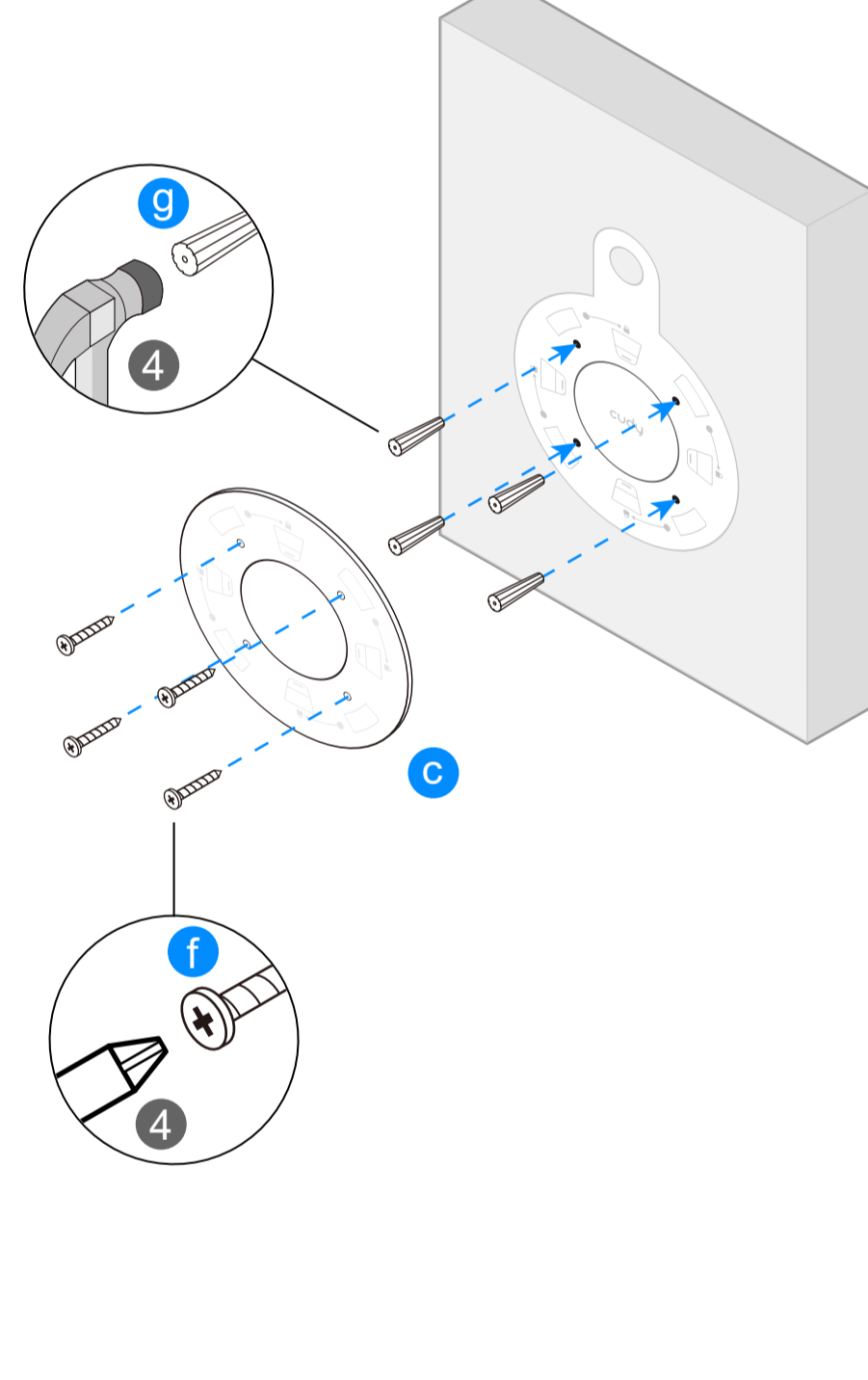
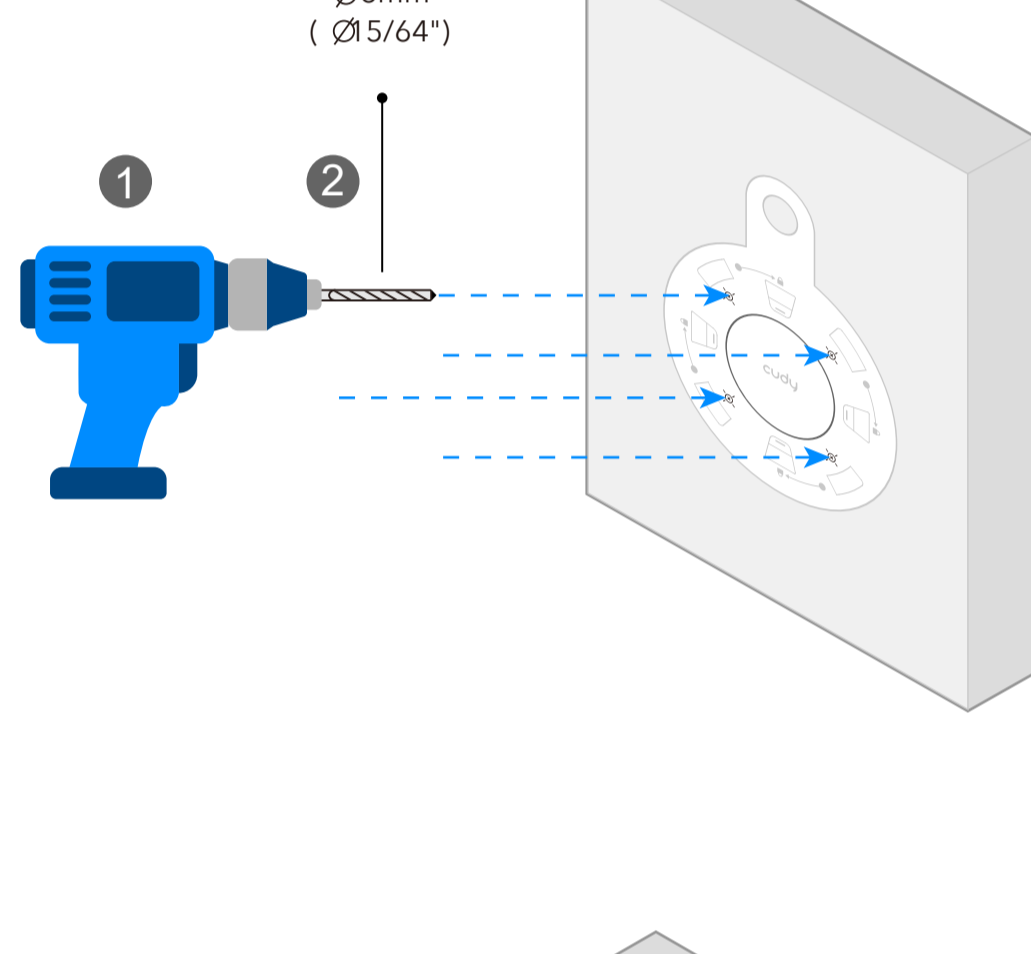
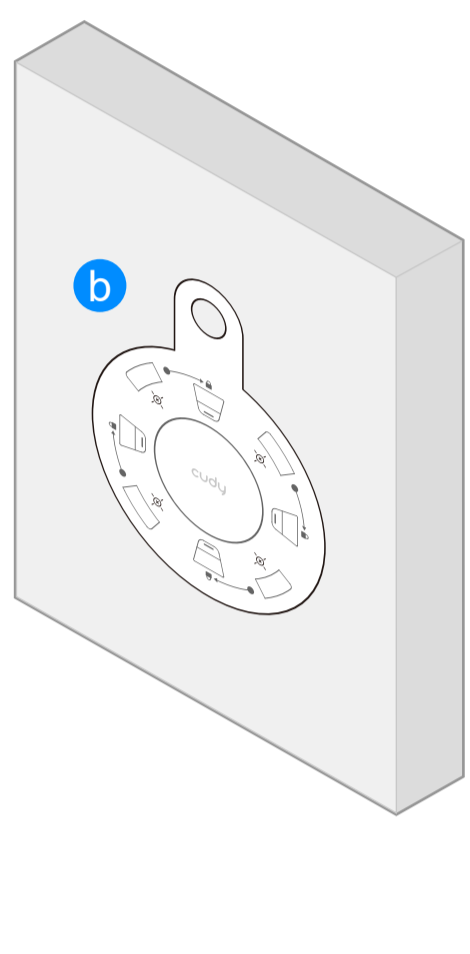
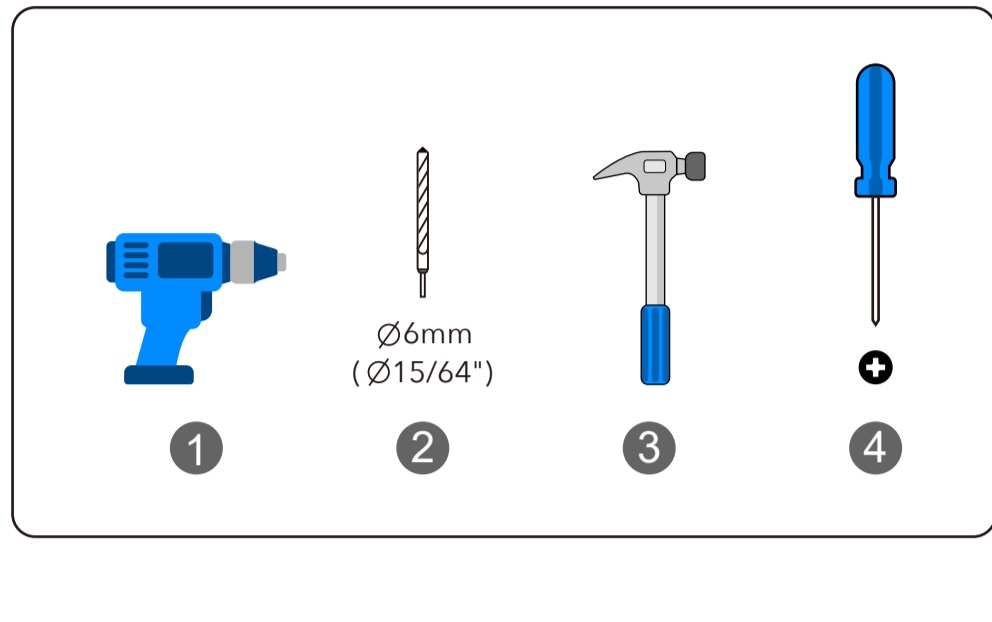
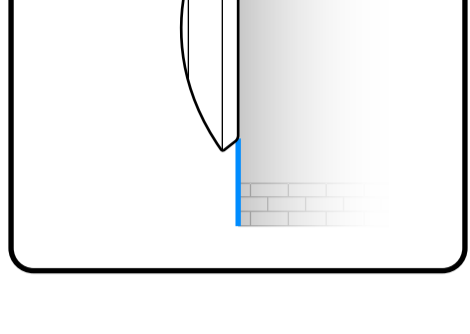


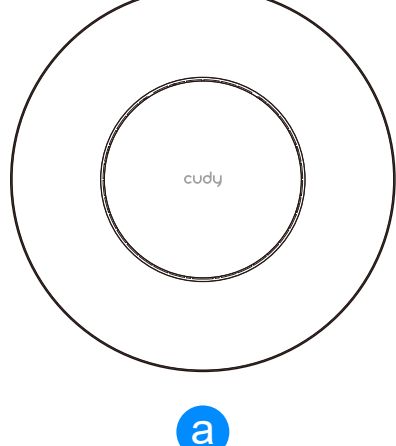
A



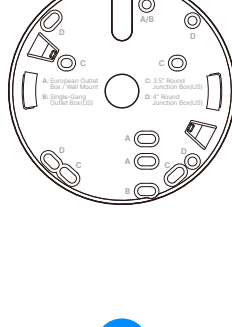


B

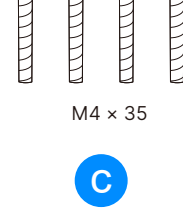




a

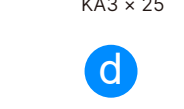


b



M4 x 35

c

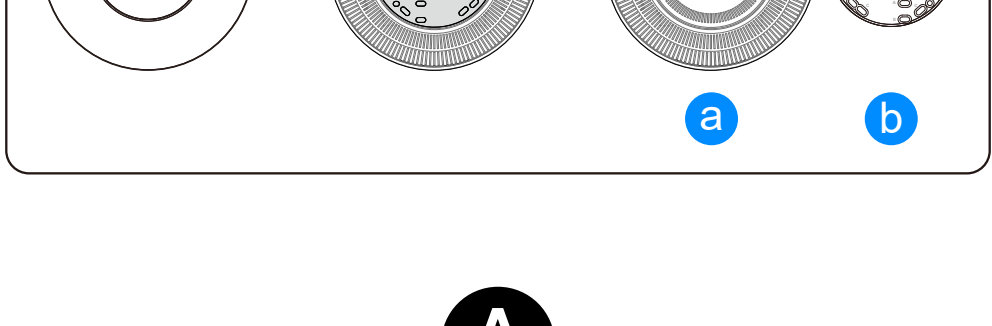


KA3 x 25

d



e



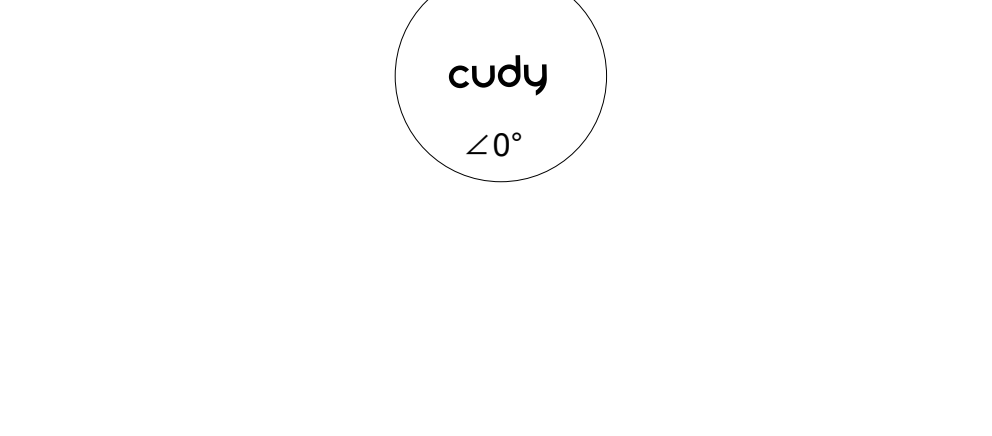
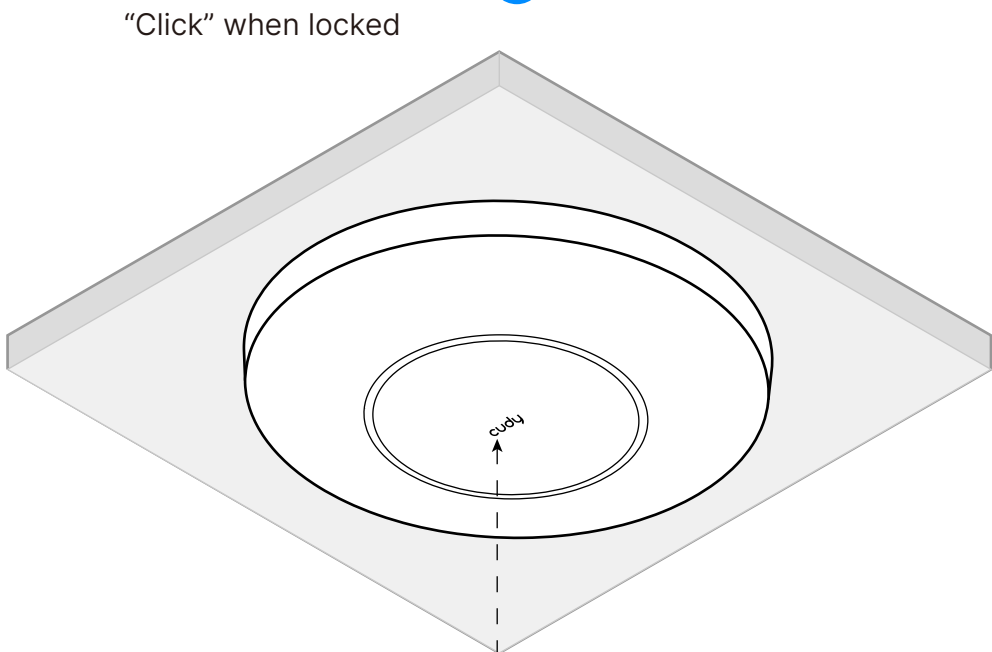
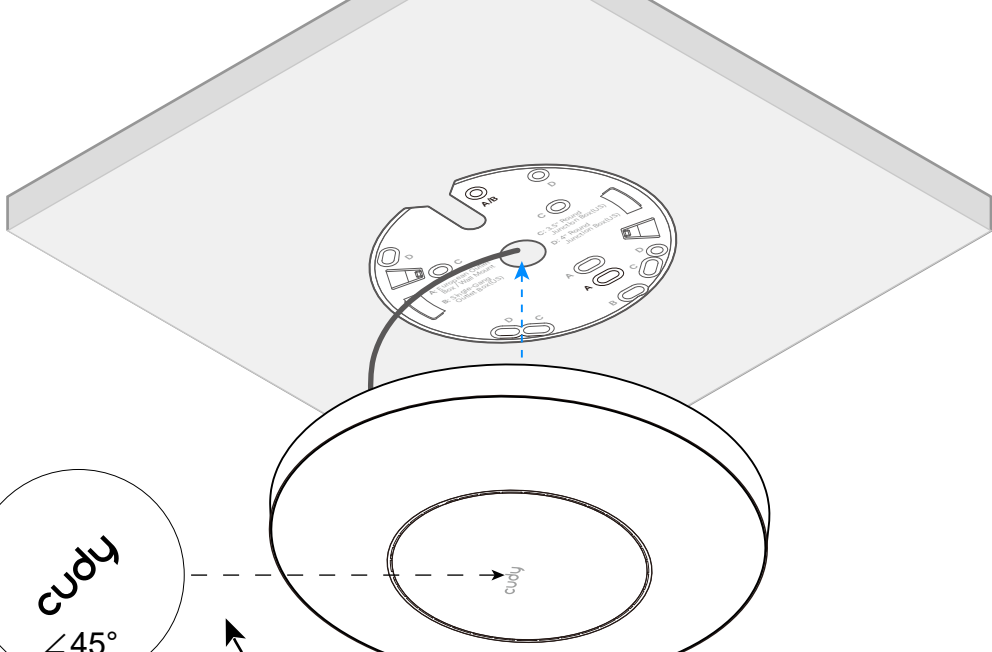
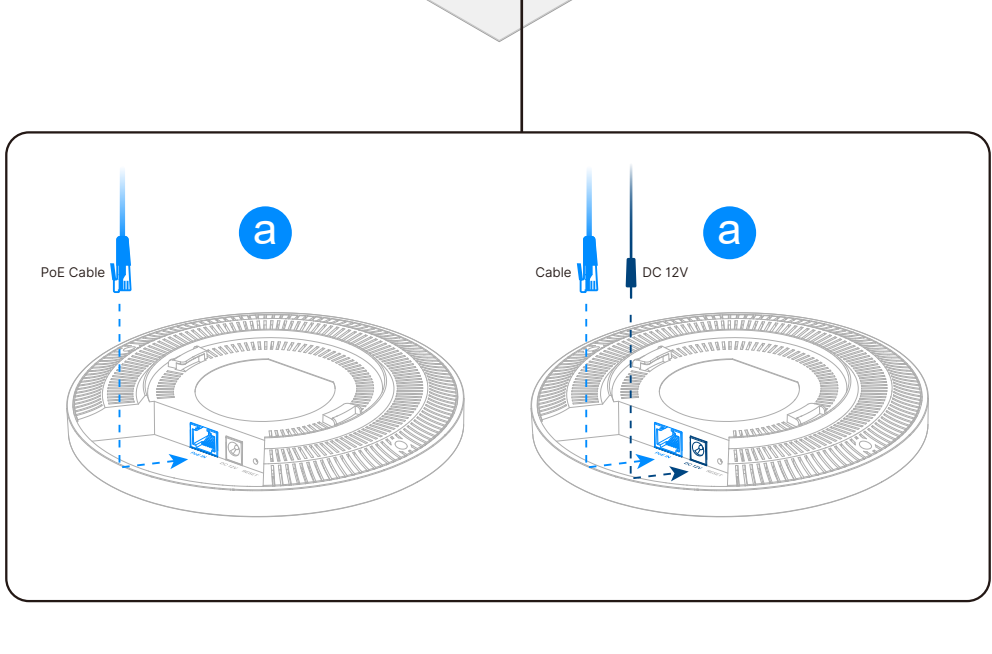
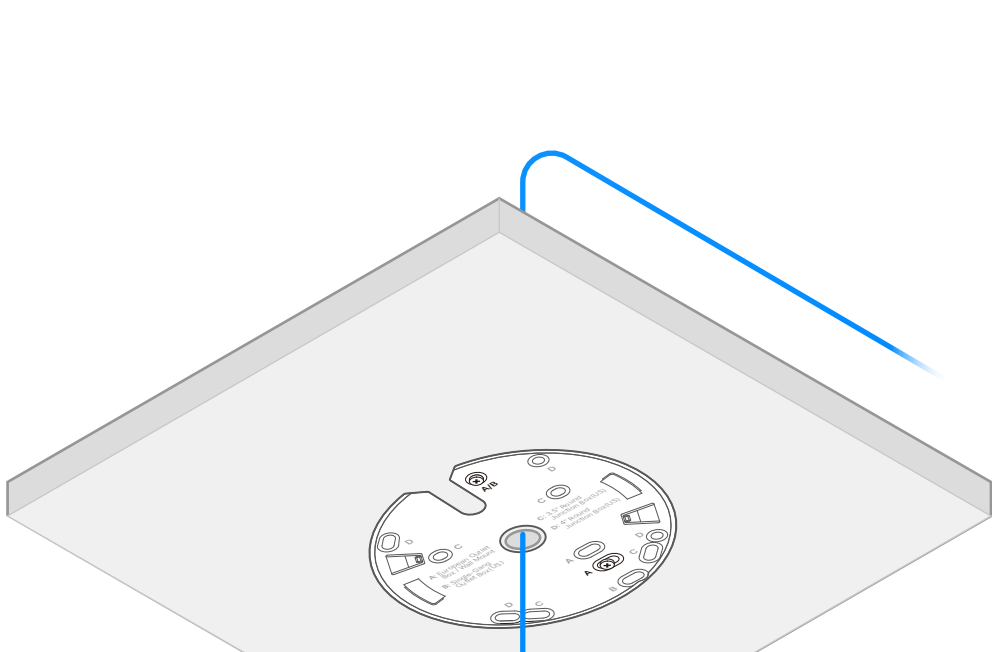
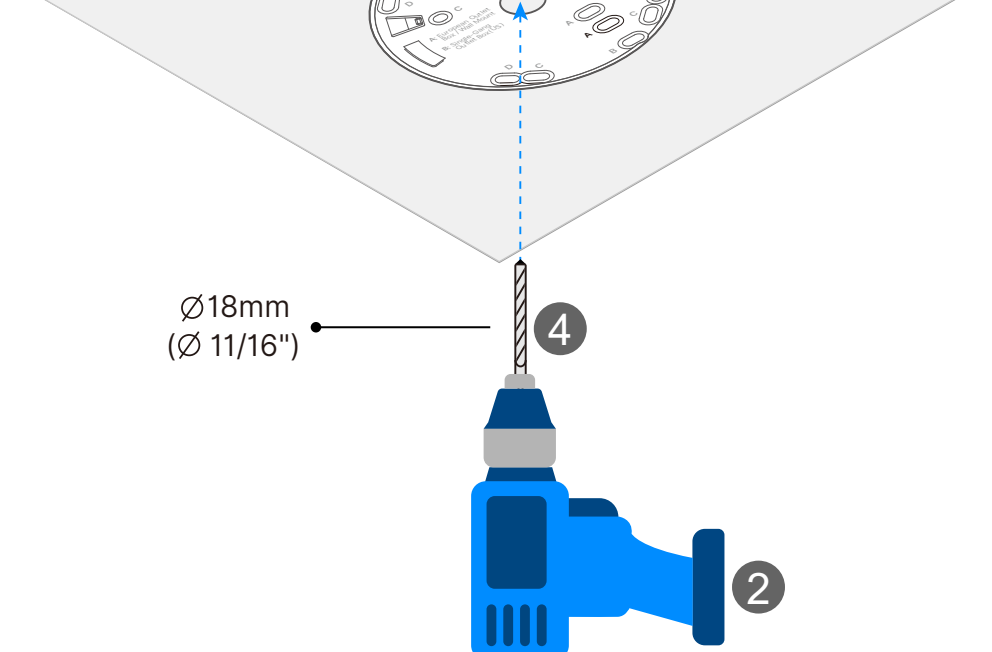
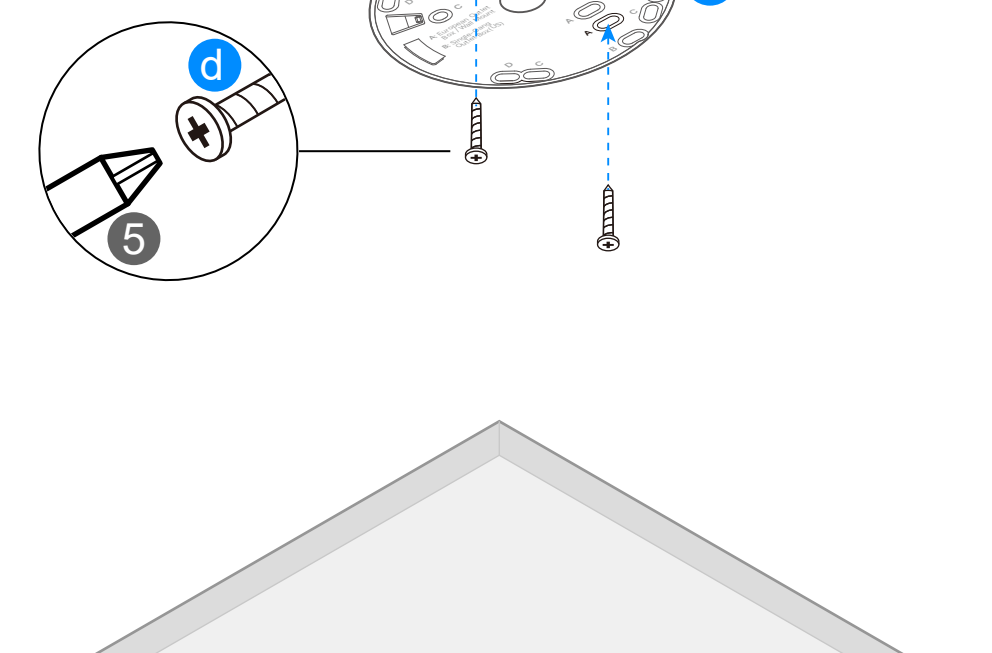
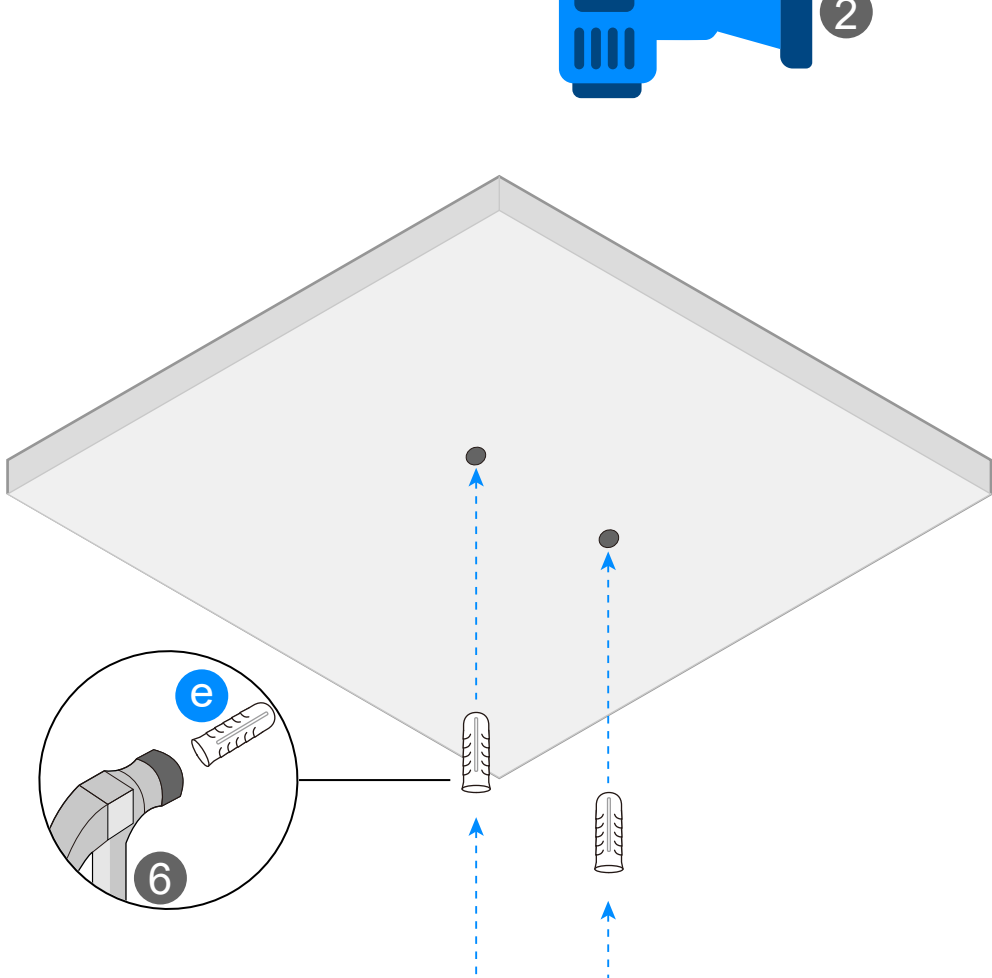
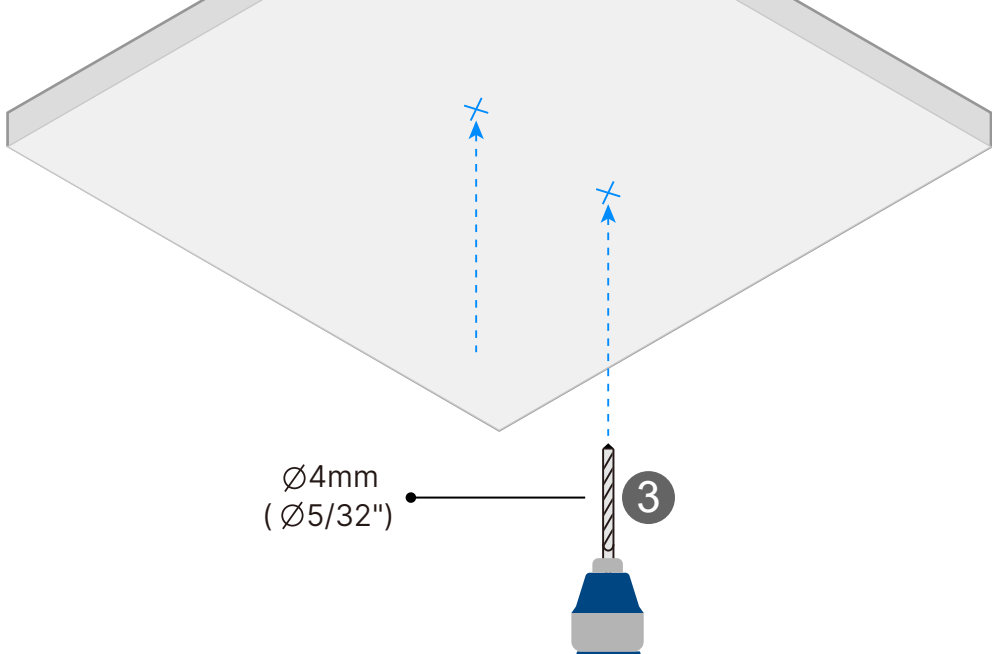
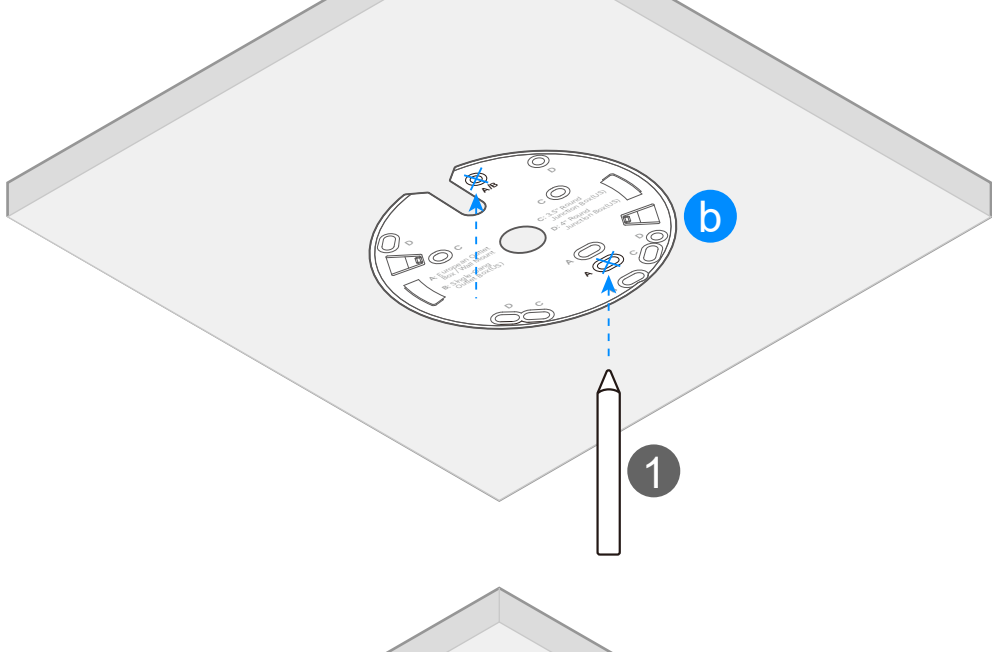
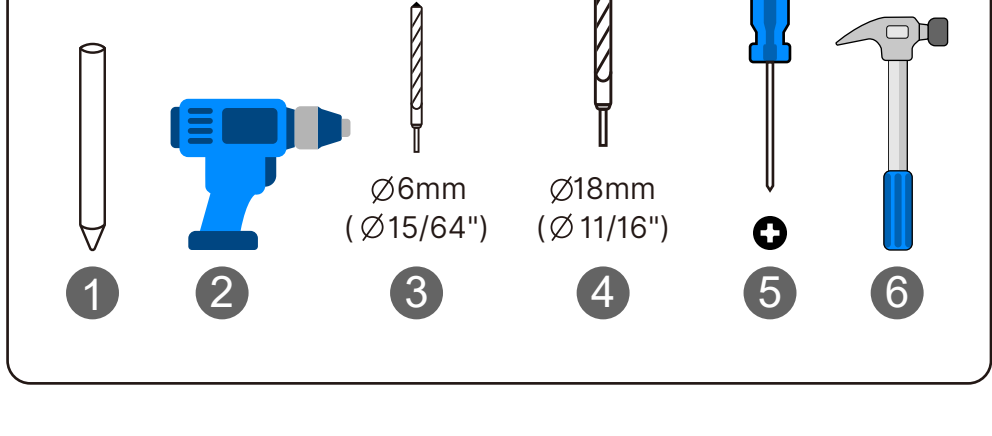
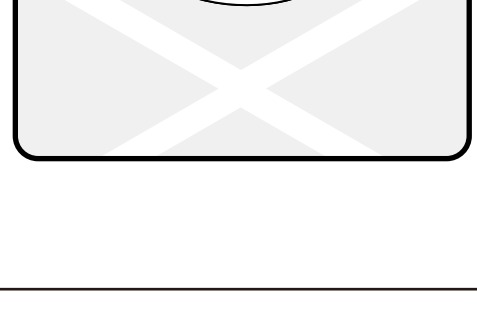
a

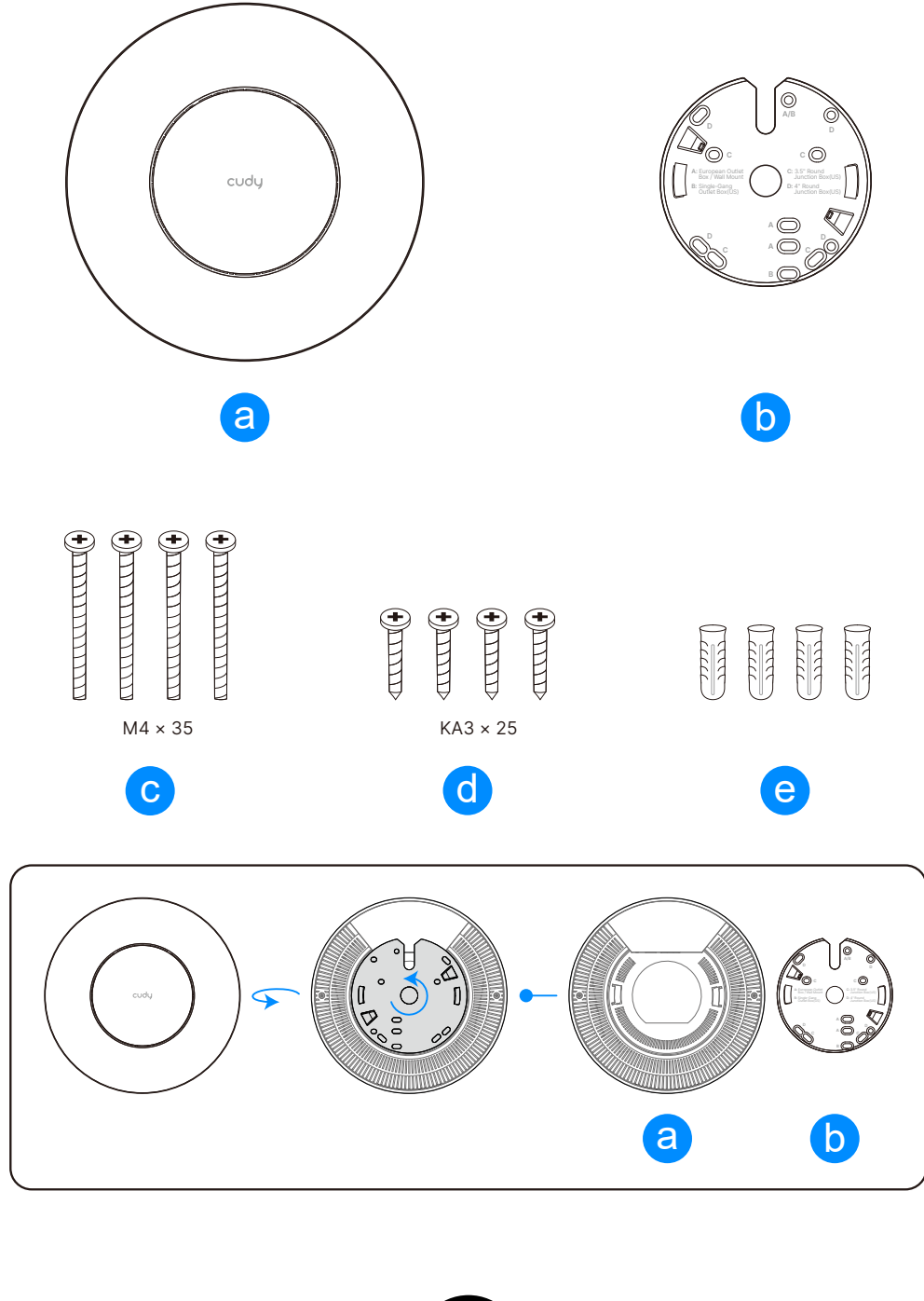
b

A

Ceiling Mounting

Mount the device directly onto the ceiling surface.

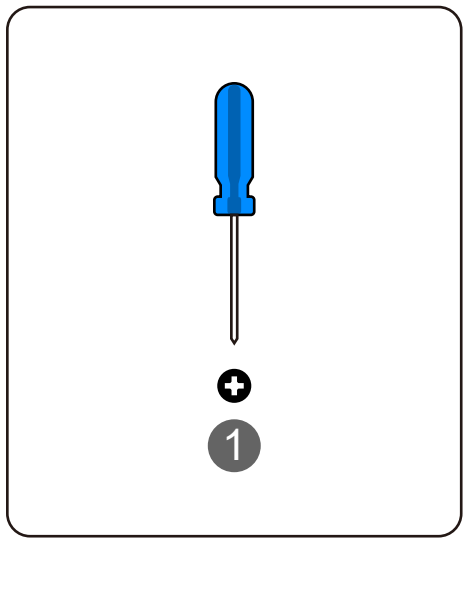
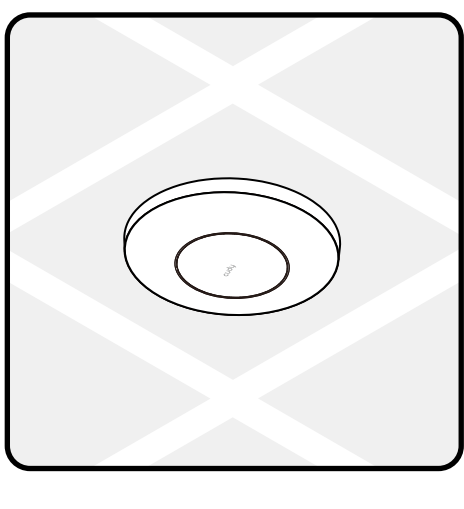




B

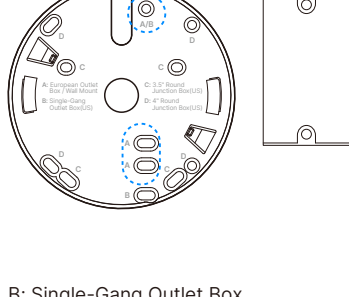
Ceiling Mounting

Secure the device using a junction/outlet box

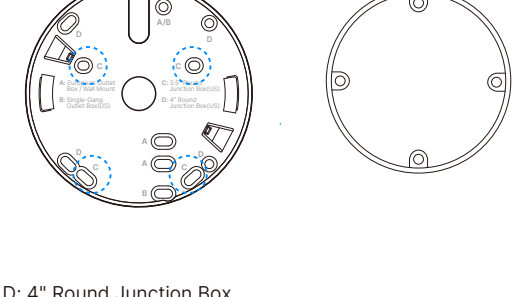


Select the mounting holes that match your junction/outlet box.

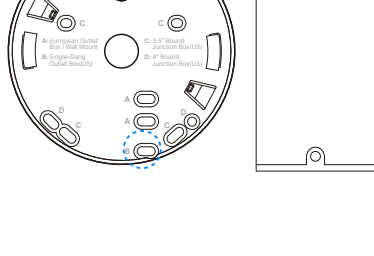
A: European Outlet Box



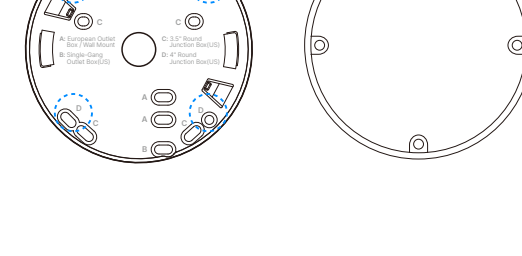
C: 3.5" Round Junction Box



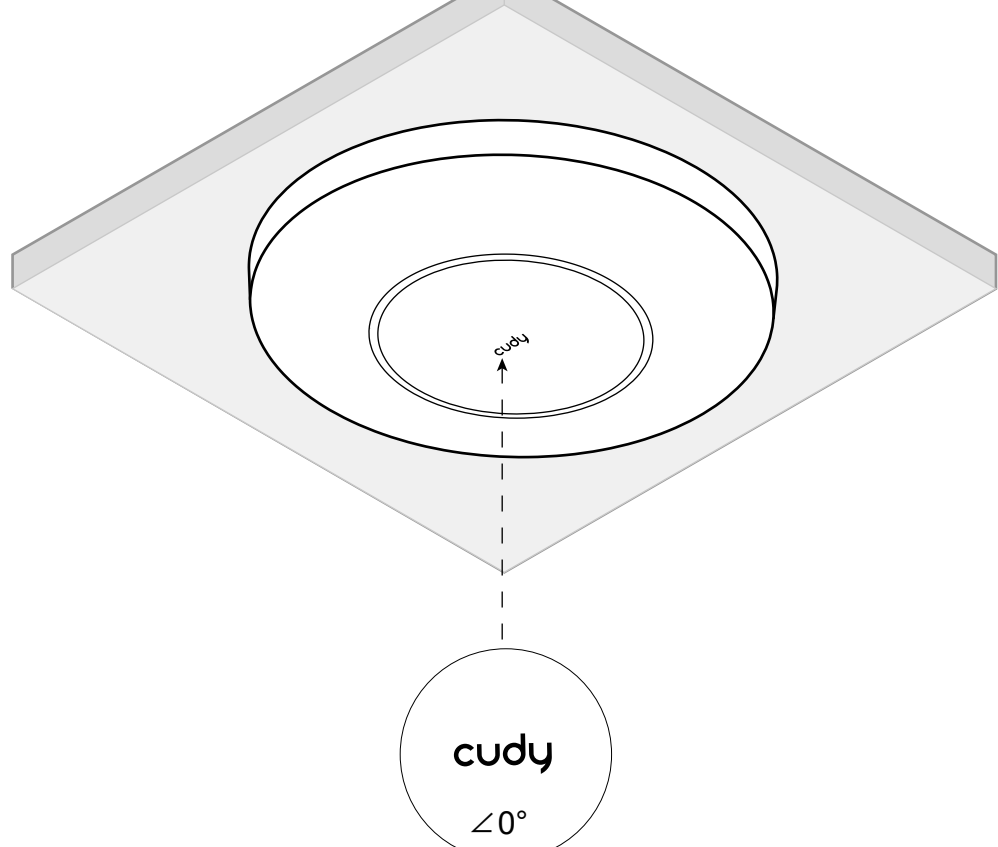
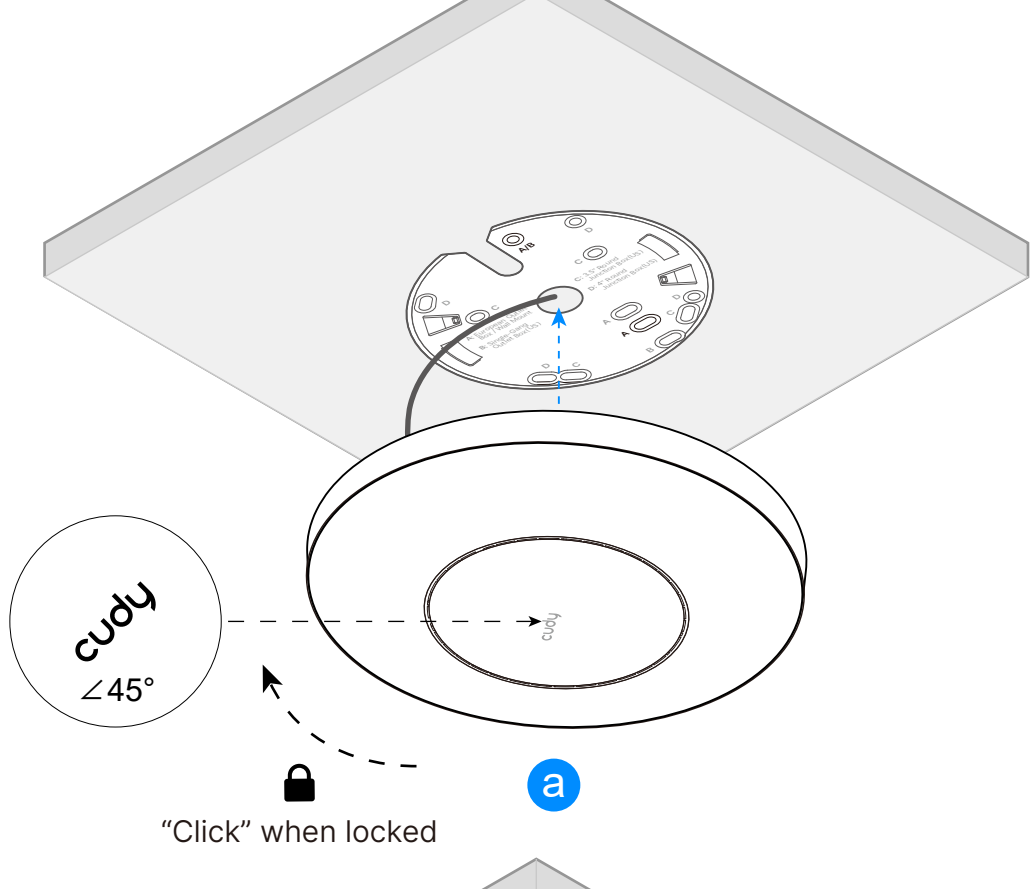
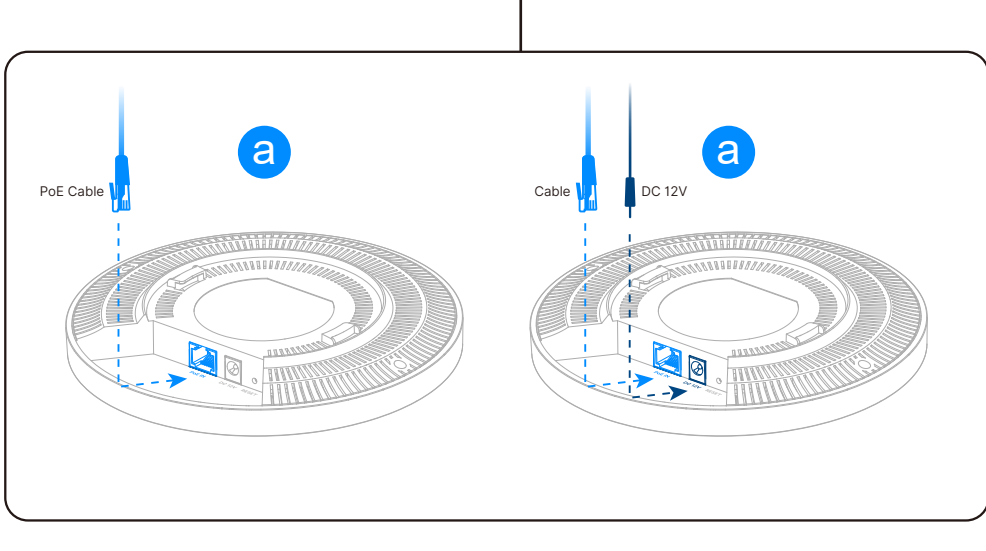
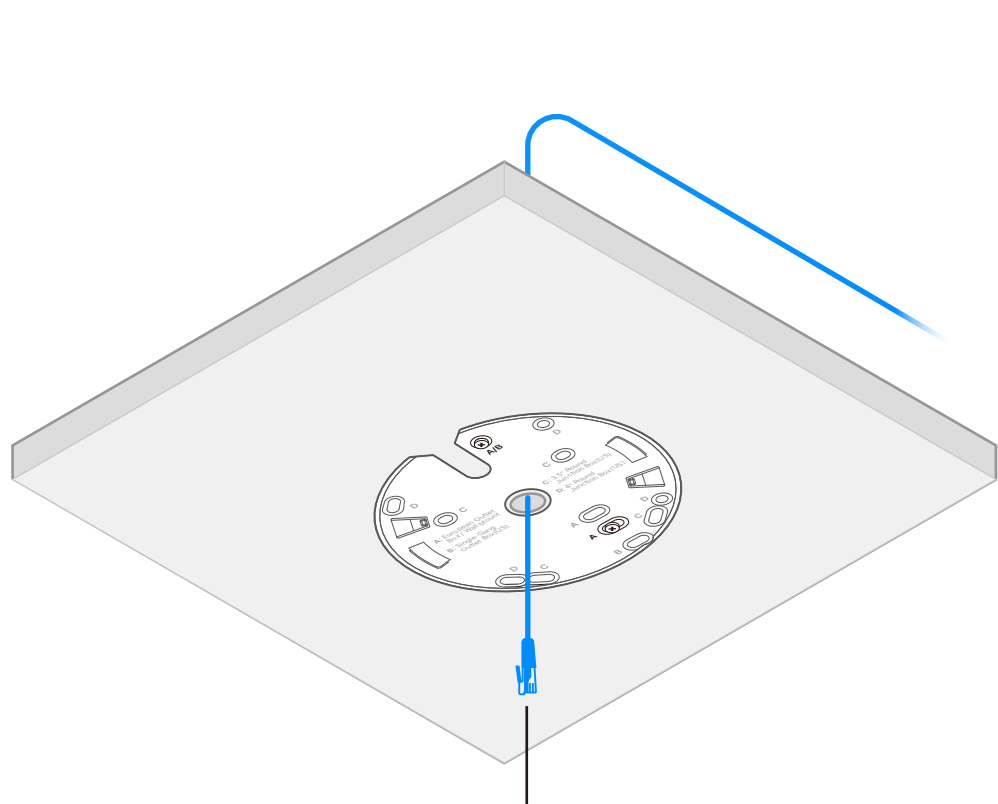
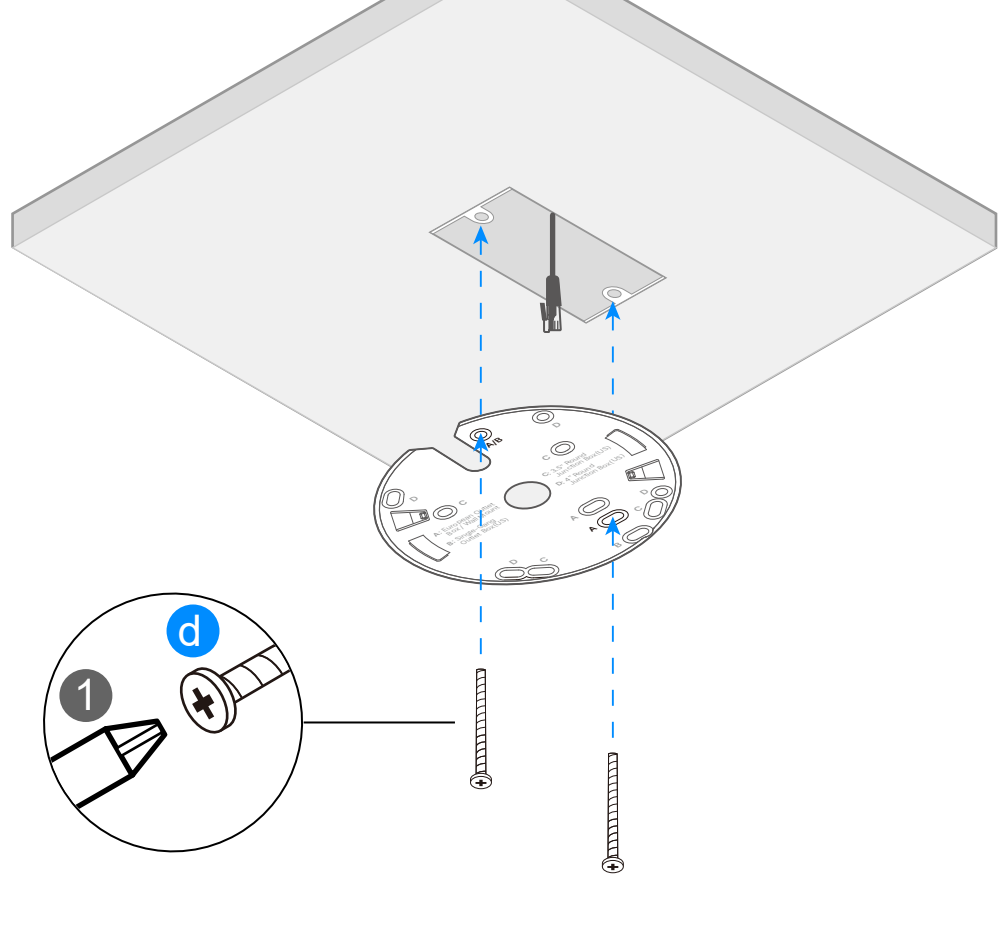
B: Single-Gang Outlet Box



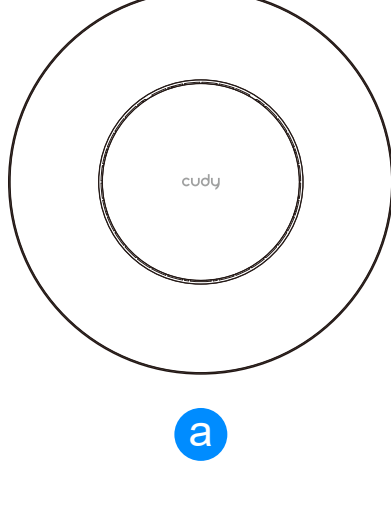
D: 4" Round Junction Box



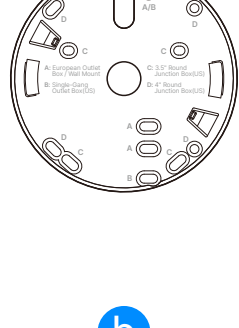
European Outlet Box (Hole A) shown as an example.



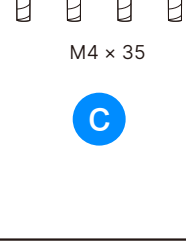
cudy ∠0°



a



b



M4 x 35

c

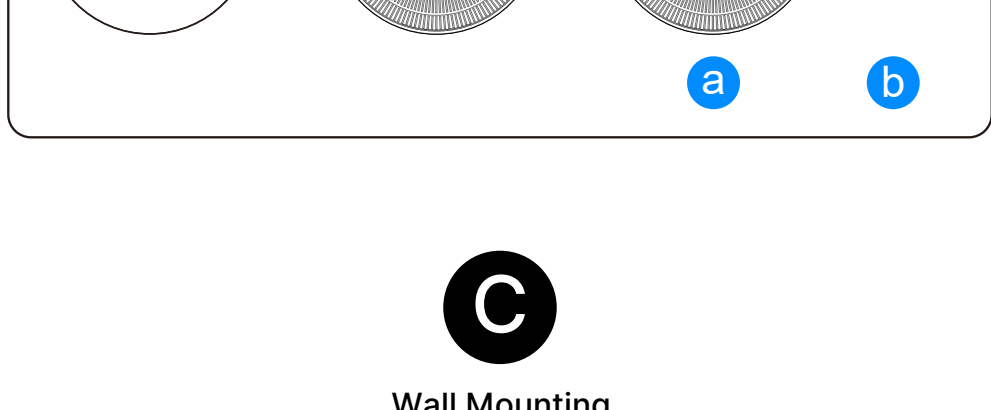


KA3 x 25

d



e



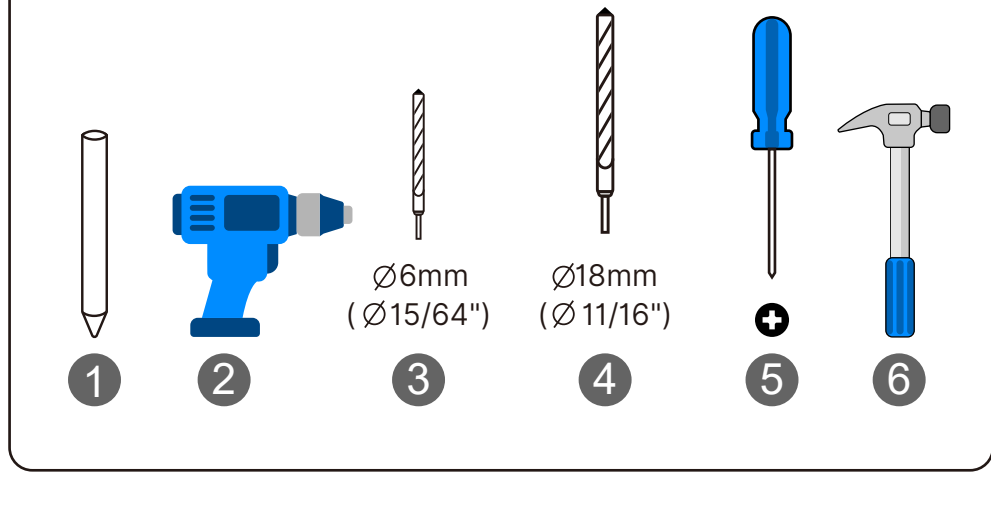
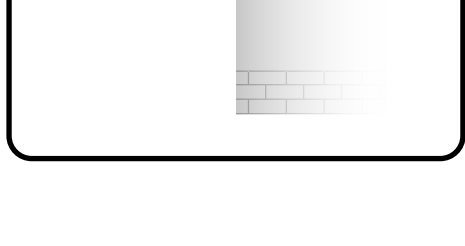
a

b

C

Wall Mounting

Mount the device directly onto the wall surface.



1

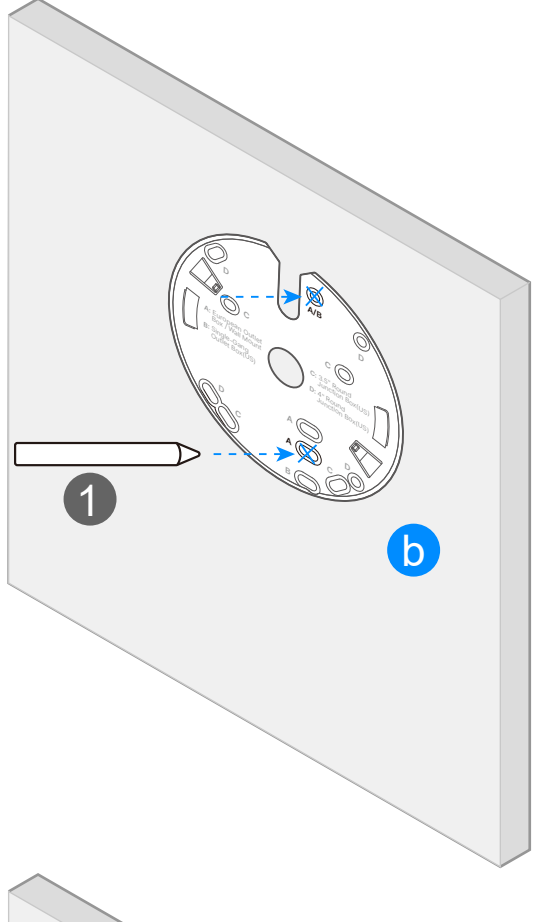
2

3

4

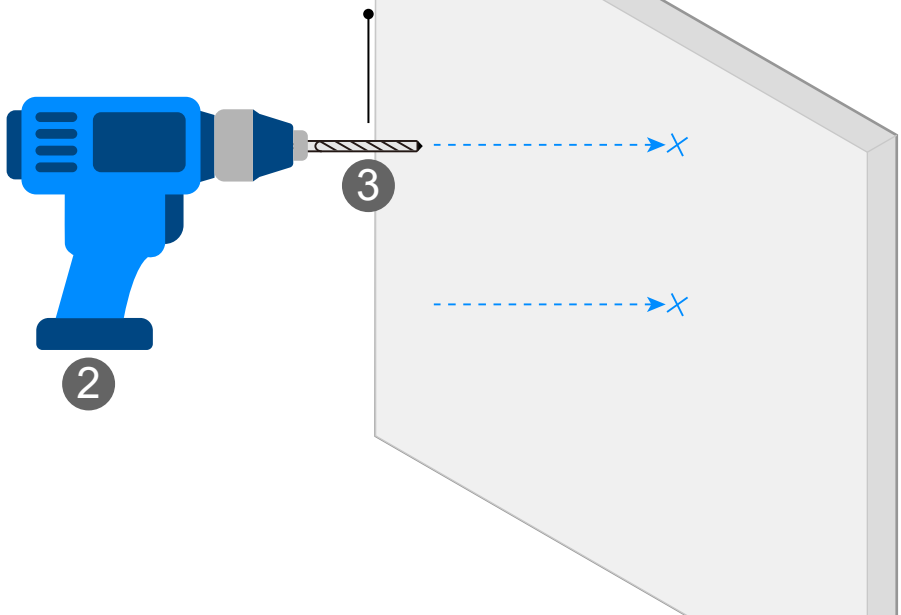
5

6



1

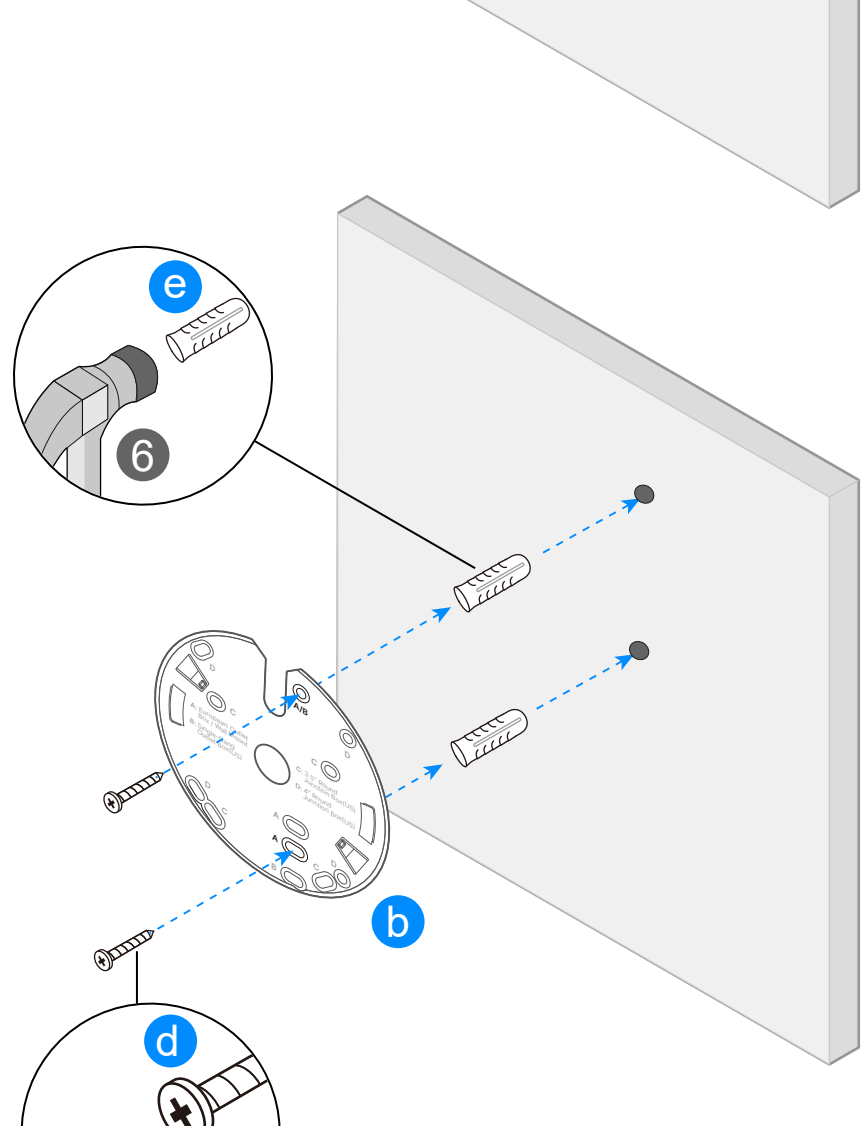
b



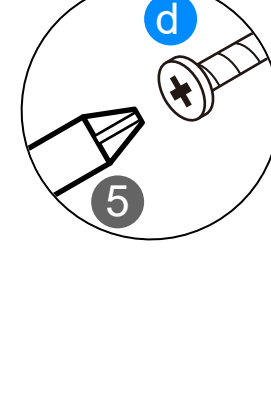
2

Ø4mm (Ø5/32")

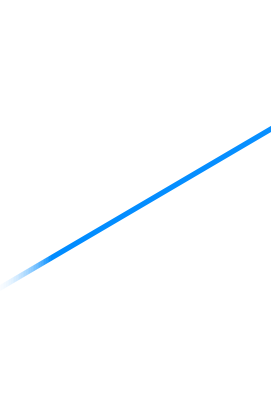
3



3



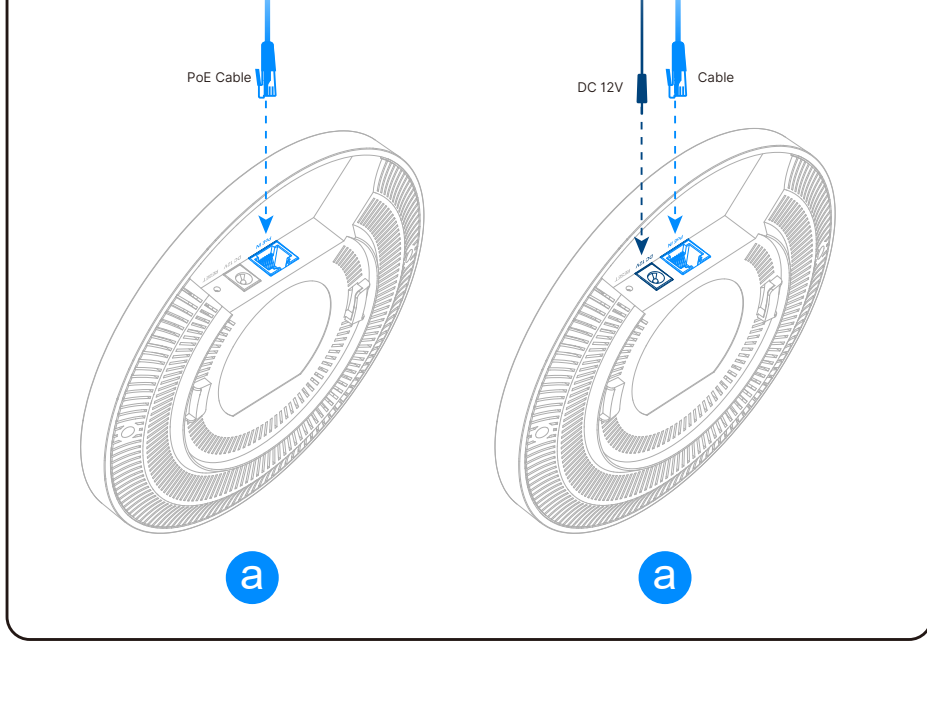
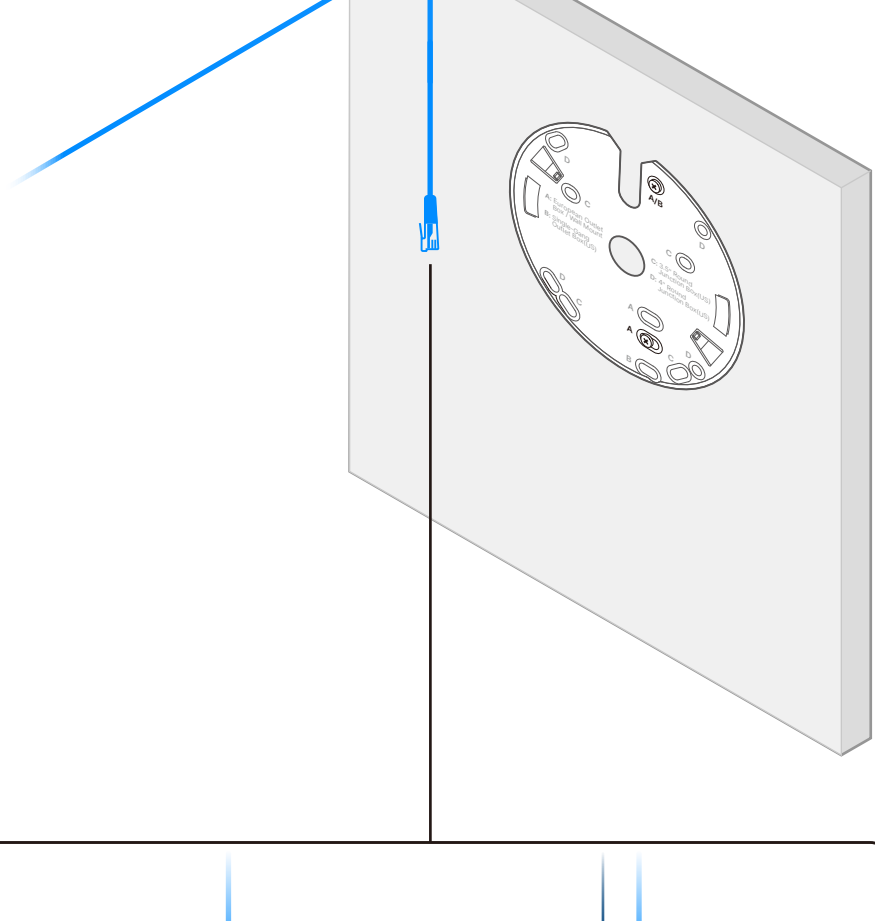
4



5

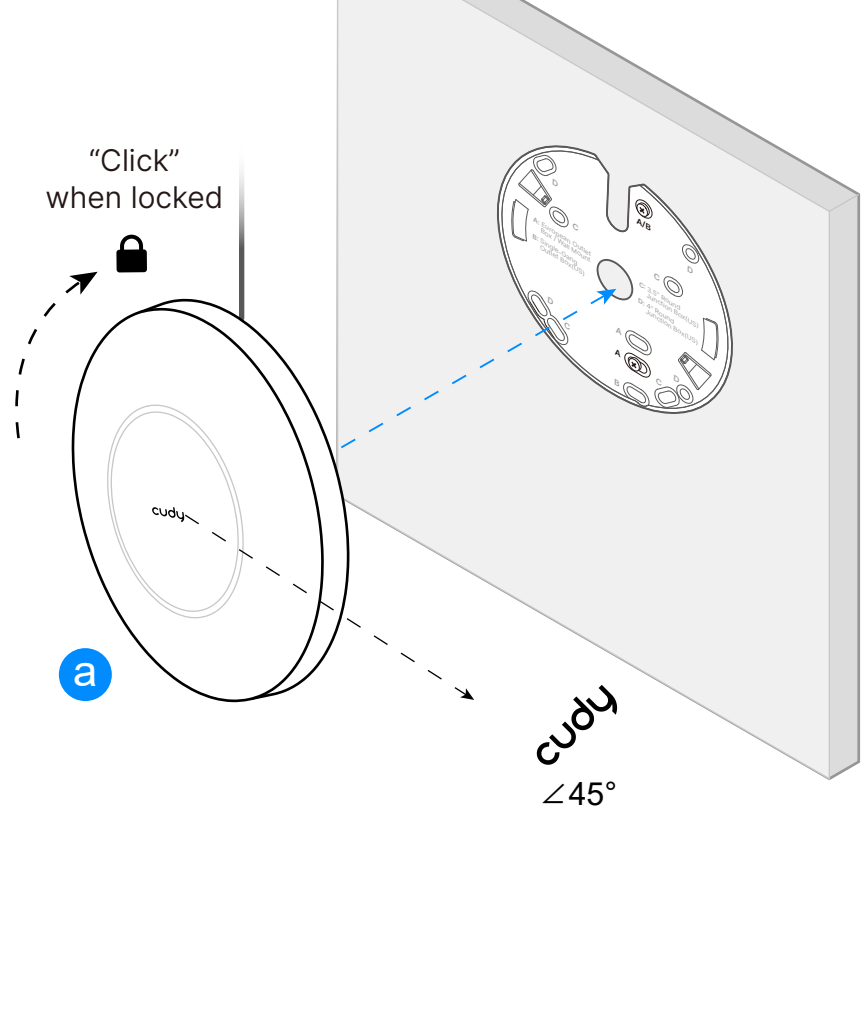


6



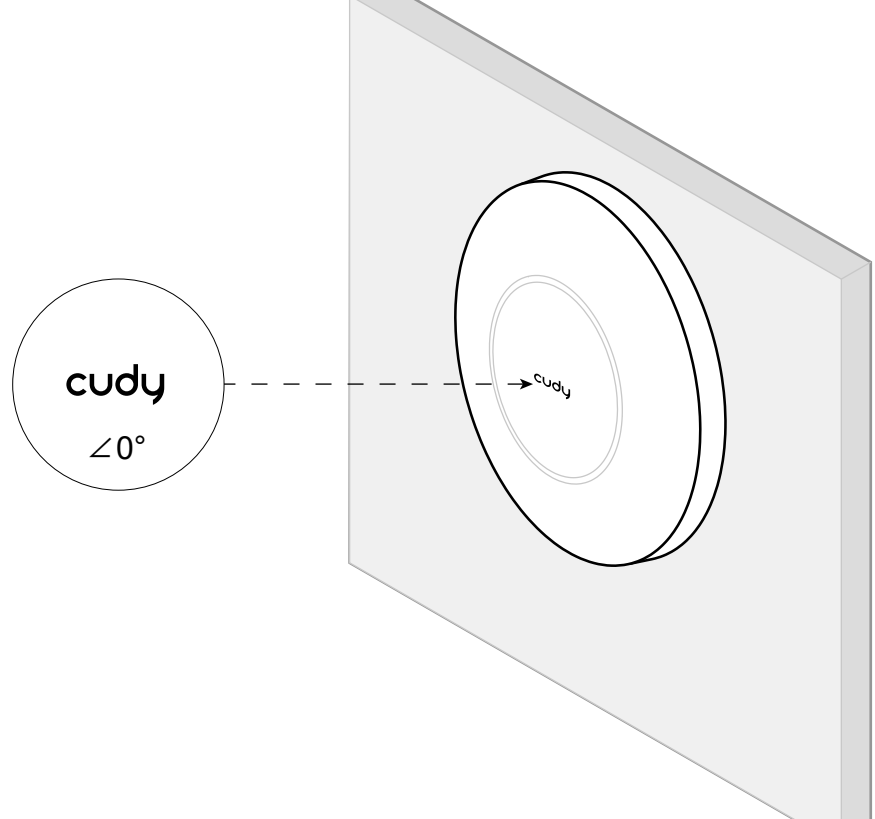
a

a

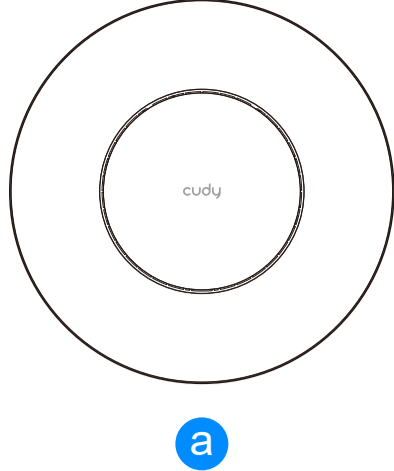


a

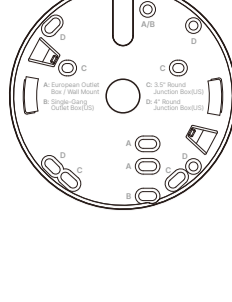
cudy
∠45°



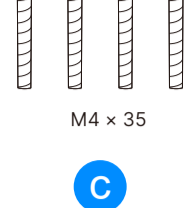
cudy
∠0°



a

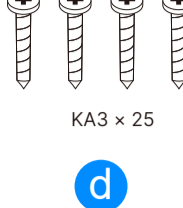


b



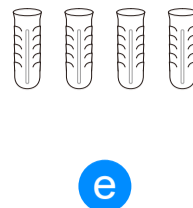
M4 x 35

c

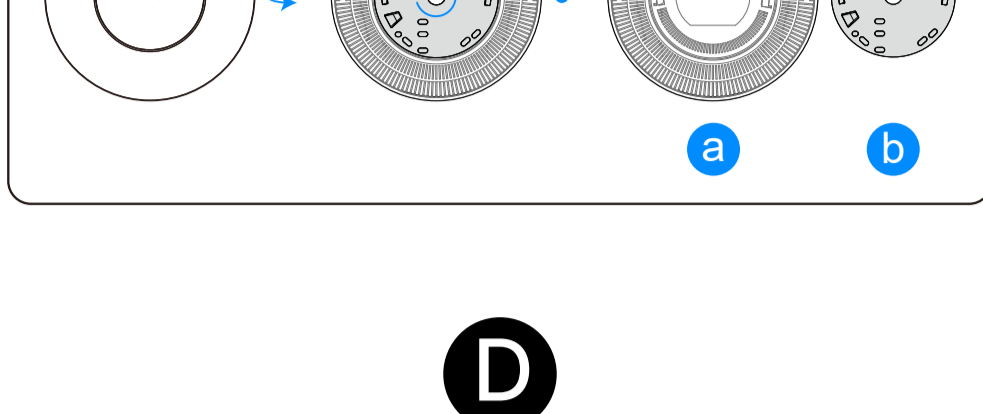


KA3 x 25

d



e



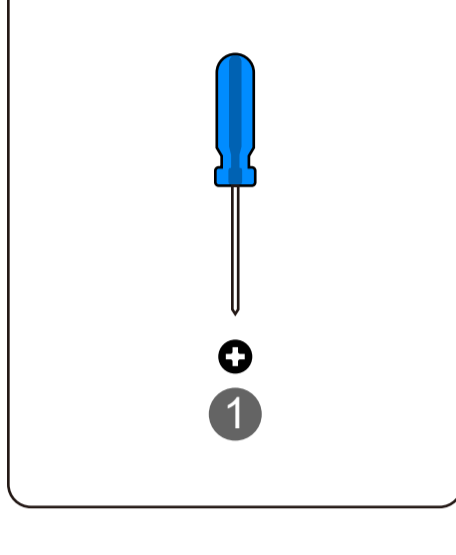
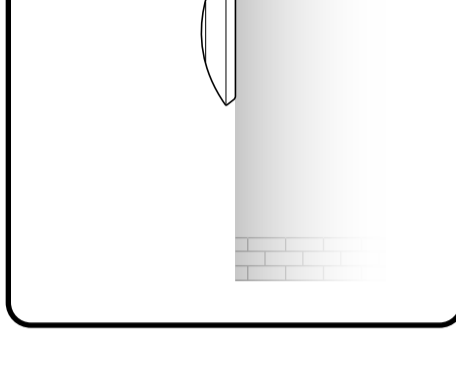
a

b

D

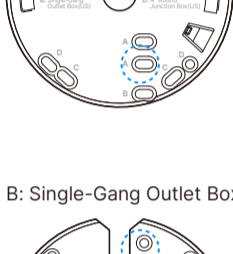
Wall Mounting

Secure the device using a junction/outlet box

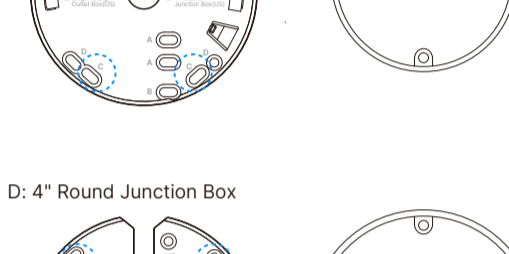


Select the mounting holes that match your junction/outlet box.

A: European Outlet Box



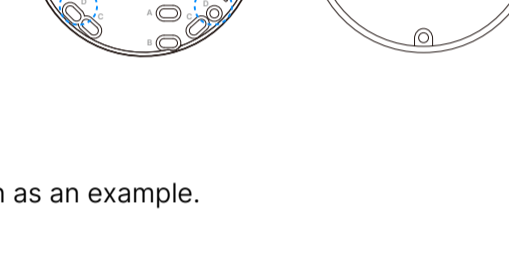
C: 3.5" Round Junction Box



B: Single-Gang Outlet Box



D: 4" Round Junction Box



European Outlet Box (Hole A) shown as an example.

